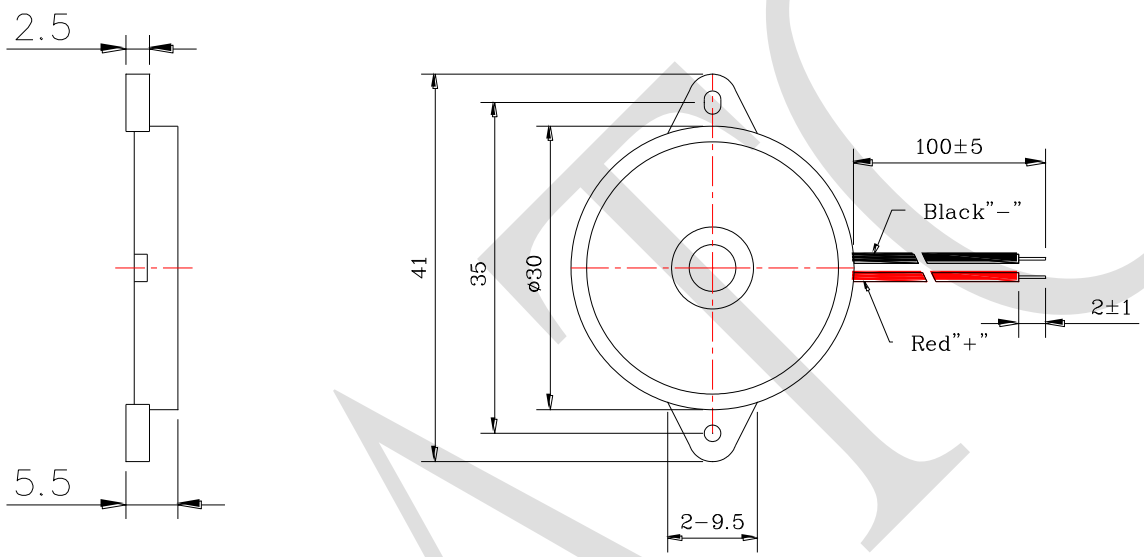


1. SPECIFICATION

AZ-3035E-W1-LF

| ITEM | | UNITS | SPECIFICATIONS | CONDITIONS |
|------|---|----------|----------------|----------------------------------|
| 01 | Rated Voltage | V | 9 | Vp-p (Square Wave) 1/2 duty |
| 02 | Operating Voltage | V | 1 ~ 30 | |
| 03 | Rated Current | mA(Max) | 8 | Rated Voltage |
| 04 | Sound pressure level (Distance at 10cm) | dBA(Min) | 88 | Rated Voltage Rated Frequency |
| 05 | Resonant Frequency | Hz | 3500 ± 300 | Rated Voltage |
| 06 | Capacitance | pF | 20000±30% | At 120Hz |

| | | | |
|---------|---------------|----------|------|
| REV NO. | REVISION NOTE | APPROVAL | DATE |
|---------|---------------|----------|------|



WIRE:UL1571 AWG 32#

RoHS

| | | | | |
|--------------------------------|----------|-------------------------------|--|------------|
| TITLE: <i>PIEZO BUZZER</i> | | DRAWN: Zack 2014/06/11 | SCALE: 2:1 | SHEET: 1:1 |
| PART NO. <i>AZ-3035E-W1-LF</i> | 3 | DESIGNED: R&D OF AAT | UNITS: mm | |
| DWG NO. <i>UGPA30F3509W100</i> | | CHECKED: | TOLERANCE ± 0.5 | |
| REV | | APPROVAL: | UNLESS OTHERWISE SPECIFIED: ONE PLACE DECIMAL ± *** TWO PLACE DECIMAL ± *** THREE PLACE DECIMAL ± *** | |
| | | MATERIAL: ABS | | |



ADVANCED ACOUSTIC TECHNOLOGY CORPORATION

For more information, please contact AATC.

AATC