


1. SPECIFICATION

AC-1205G-HF

ITEM		UNITS	SPECIFICATIONS	CONDITIONS
01	Rated Voltage	V	5	 <p>Standard state, standard drive circuit. Square wave 1/2 duty.</p>
02	Operating Voltage	V	3 ~ 8	
03	Consumption Current	mA Max.	50	
04	Sound pressure level (Distance at 10cm)	dB(A) Min.	85	Rated voltage, rated frequency.
05	Direct Current Resistance	Ω	40±6	
06	Rated Frequency	Hz	2400	

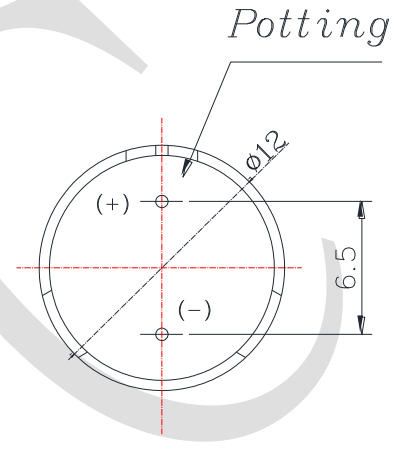
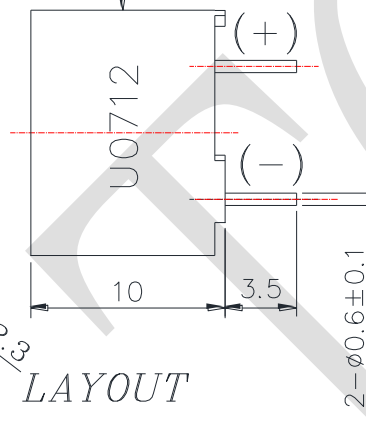
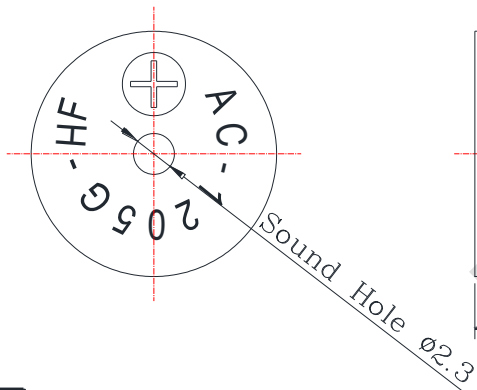
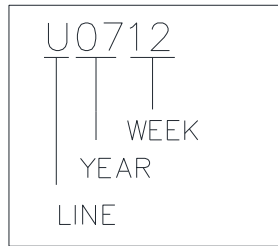
REV NO.

REVISION NOTE

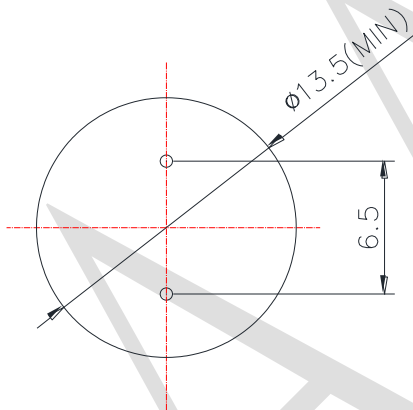
APPROVAL

DATE

NO LABEL



RECOMMEND PCB LAYOUT



PART NO. DESCRIPTION.

- A : COMPANY NAME
- C : MAGNETIC BUZZER
- |
- 12 : DIAMETER
- 05 : VOLTAGE
- G : RESISTANCE 40 ohm
- |
- HF : NO Halogen

HF

TITLE: MAGNETIC BUZZER		DRAWN: Hank	2020/02/15	SCALE: 3:1	SHEET: 1 OF 1
PART NO. AC-1205G-HF		DESIGNED: R&D OF AAT	UNITS: mm		
DWG NO.	4	CHECKED:	TOLERANCE ± 0.5		
		APPROVAL:	UNLESS OTHERWISE SPECIFIED: ONE PLACE DECIMAL \pm *** TWO PLACE DECIMAL \pm *** THREE PLACE DECIMAL \pm ***		
	REV	MATERIAL: PBT			



ADVANCED ACOUSTIC TECHNOLOGY CORPORATION

For more information, please contact AATC.

AATC