
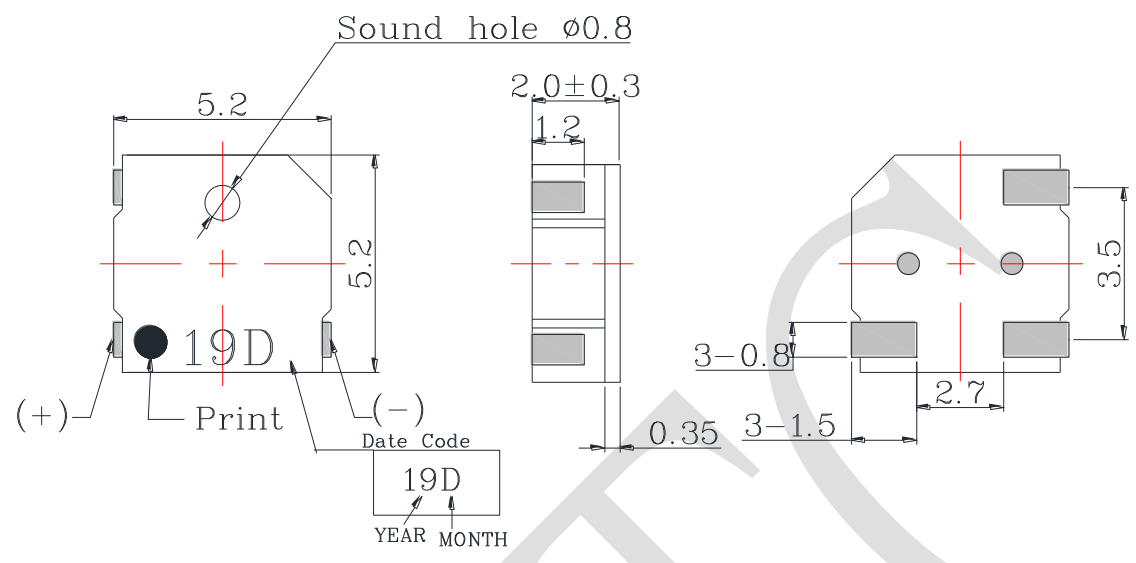


1. SPECIFICATION

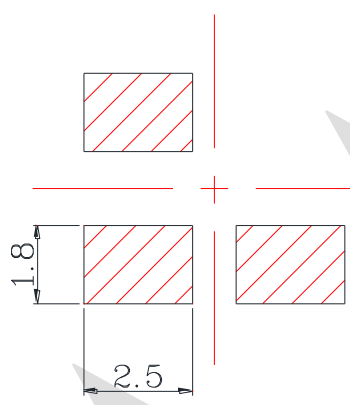
AD-52A5F

ITEM		UNITS	SPECIFICATIONS	CONDITIONS
01	Rated Voltage	V	5	
02	Operating Voltage	V	4.0 ~ 6.0	
03	Consumption Current	mA Max.	150	Standard state, standard drive circuit. Square wave 1/2 duty.
04	Sound pressure level (Distance at 10cm)	dB(A) Min.	75	Rated voltage, rated frequency.
05	Direct Current Resistance	Ω	12 \pm 3	
06	Rated Frequency	Hz	4000	

REV NO.	REVISION NOTE	APPROVAL	DATE
---------	---------------	----------	------



RECOMMEND PCB LAYOUT



RoHS

TITLE: SOUND TRANSDUCER (SMD)		DRAWN: Hank	2020/04/13	SCALE: 1:1	SHEET: 1 : 1
PART NO. AD-52A5F		DESIGNED: R & D OF AAT		UNITS: mm	
DWG NO. SMD-050020F-05040R12		CHECKED:		TOLERANCE ± 0.5	
		APPROVAL:		UNLESS OTHERWISE SPECIFIED:	
REV 1		MATERIAL: LCP		ONE PLACE DECIMAL \pm ***	
				TWO PLACE DECIMAL \pm ***	
				THREE PLACE DECIMAL \pm ***	



ADVANCED ACOUSTIC TECHNOLOGY CORPORATION

For more information, please contact AATC.

AATC