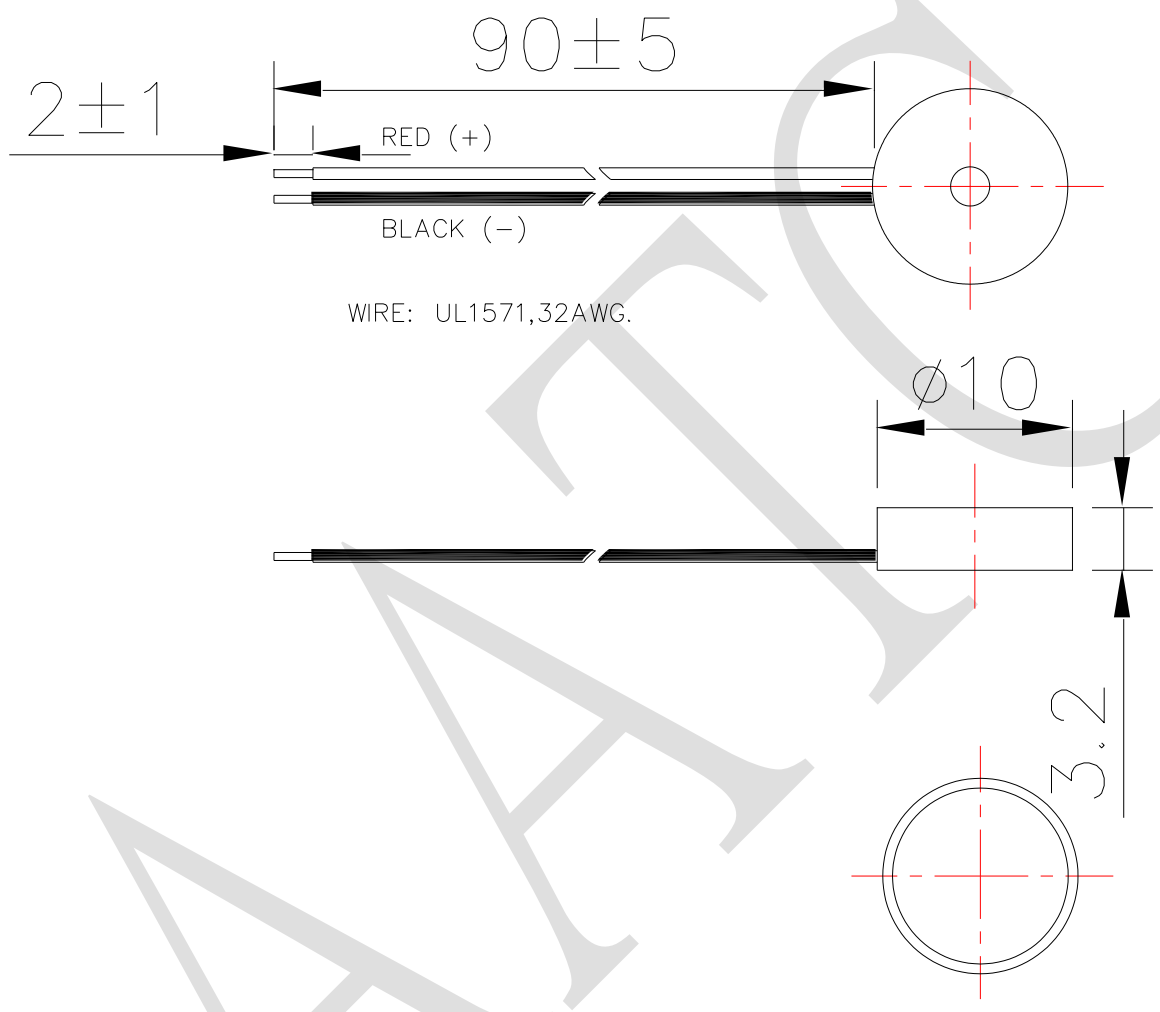


1. SPECIFICATION

AZ-1032E-W

ITEM		UNITS	SPECIFICATIONS	CONDITIONS
01	Rated Voltage	V	10	Vp-p (Square Wave) 1/2 duty
02	Operating Voltage	V	1 ~ 30	
03	Rated Current	mA(Max)	5	Rated Voltage
04	Sound pressure level (Distance at 10cm)	dBA(Min)	80	Rated Voltage Rated Frequency
05	Resonant Frequency	Hz	3200 ± 300	Rated Voltage
06	Capacitance	pF	11000±30%	At 120Hz

REV NO.	REVISION NOTE	APPROVAL	DATE
---------	---------------	----------	------



RoHS

TITLE: <i>PIEZO BUZZER</i>		DRAWN: Zack	2012/07/05	SCALE: 2:1	SHEET: 1:1
PART NO. <i>AZ-1032E-W</i>	2	DESIGNED: <i>R&D OF AAT</i>	UNITS: <i>mm</i>		
DWG NO. <i>DTP-1070</i>		CHECKED:	TOLERANCE ± 0.5		
	REV	APPROVAL:	UNLESS OTHERWISE SPECIFIED:		
		MATERIAL: <i>ABS</i>	ONE PLACE DECIMAL \pm ***		
			TWO PLACE DECIMAL \pm ***		
			THREE PLACE DECIMAL \pm ***		



ADVANCED ACOUSTIC TECHNOLOGY CORPORATION

For more information, please contact AATC.

AATC