

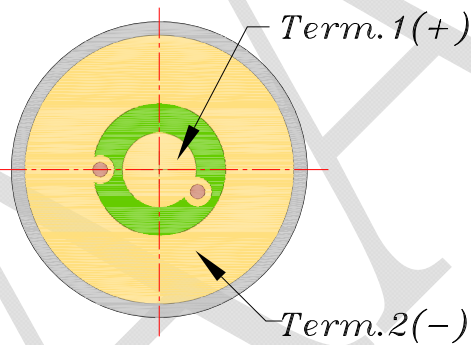
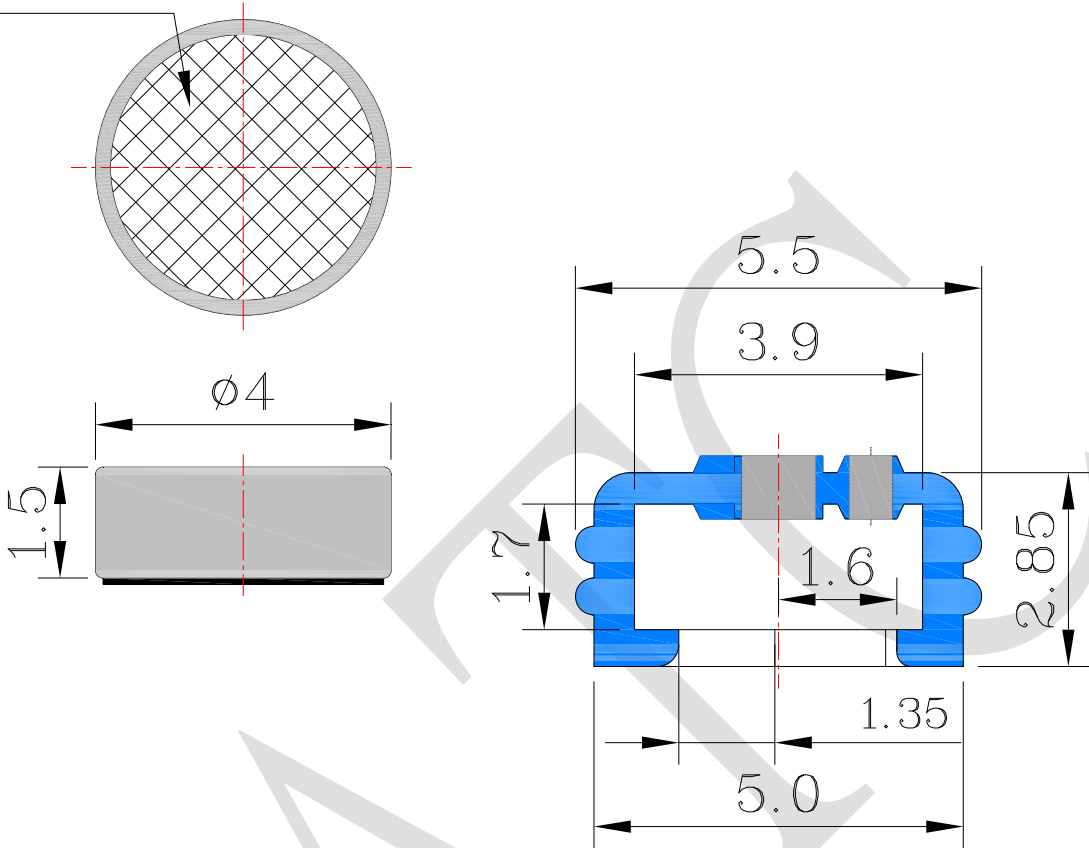
# 1. SPECIFICATIONS

AMB-O40J44-CCH-IP67

01	Electret's Type	Back type	
02	Sensitivity	-44±3dB (0dB=1V/Pa,1KHz)	
03	Standard Operation Voltage	2.0 V	
04	Output Impedance	2.2 KΩ	
05	Directivity	Omni directional	
06	Frequency Range	100 - 20K Hz	
07	Max. Operation Voltage	10V	
08	Current Consumption	Max.0.5mA	
09	Sensitivity Reduction	Within -3dB 0dB=1V/Pa,1KHz Vs=2.0to 1.5V	
10	S/N Ratio	≥58dB	
11	Operating Temperature	-20~+60°C	
12	Storage Temperature	-30~+70°C	
13	Dustproof Standards	IP6X	Totally protected against dust.
	Waterproof Standards	IPX7	Protected against the effects of immersion between 15cm and 1M.

REV NO.	REVISION NOTE	APPROVAL	DATE
---------	---------------	----------	------

Waterproof (White, IP67)



Holder:DD-EQ-JTA55-06

RoHS

TITLE: MICROPHONE	DRAWN: Jerry 2012/07/26	SCALE: 5:1	SHEET: 1 of 1
PART NO. AMB-040J44-CCH-IP67	DESIGNED: R & D OF AAT	UNITS: mm	TOLERANCE $\pm 0.3$
DWG NO. B4015AS-SFN-M 9495	CHECKED:	UNLESS OTHERWISE SPECIFIED:	ONE PLACE DECIMAL $\pm$ ***
REV	APPROVAL:	TWO PLACE DECIMAL $\pm$ ***	THREE PLACE DECIMAL $\pm$ ***
	MATERIAL: *****		



ADVANCED ACOUSTIC TECHNOLOGY CORPORATION

For more information, please contact AATC.

AATC