
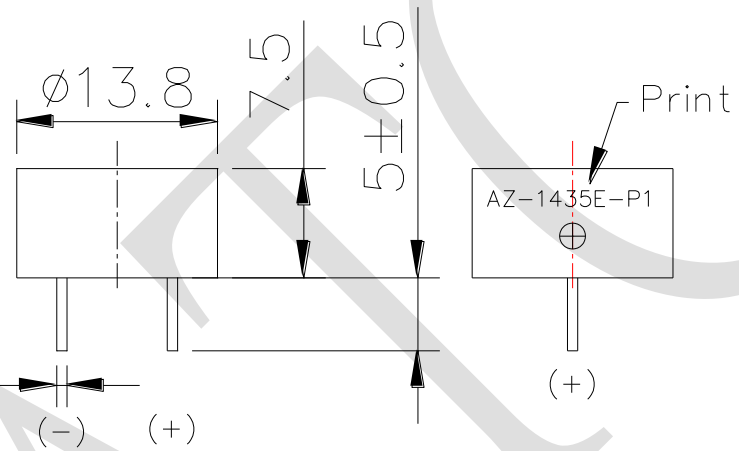
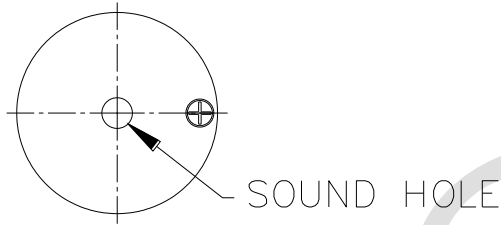


1. SPECIFICATION

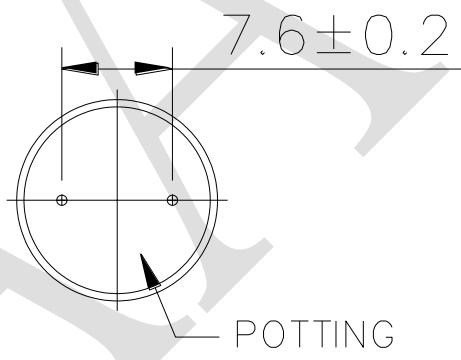
AZ-1435E-P1

ITEM		UNITS	SPECIFICATIONS	CONDITIONS
01	Rated Voltage	V	9	 Square wave 1/2 duty.
02	Operating Voltage	V	3 ~ 20	
03	Consumption Current	mA (Max)	7	
04	Sound pressure level (Distance at 10cm)	dB(A) (Min)	80	Rated voltage, rated frequency.
05	Capacitance	pF	12000±30%	At 120Hz
06	Rated Frequency	Hz	3500	

REV NO.	REVISION NOTE	APPROVAL	DATE
---------	---------------	----------	------



$2 - \phi 0.7 \pm 0.05$



RoHS

TITLE: <i>PIEZO BUZZER</i>	DRAWN: Zack 2017/09/19	SCALE: 2:1	SHEET: 1:1
PART NO. <i>AZ-1435E-P1</i>	DESIGNED: R&D OF AAT	UNITS: mm	
DWG NO. <i>UGPM14F3509P</i>	2 REV	CHECKED:	TOLERANCE ± 0.3
		APPROVAL:	UNLESS OTHERWISE SPECIFIED: ONE PLACE DECIMAL \pm *** TWO PLACE DECIMAL \pm *** THREE PLACE DECIMAL \pm ***
	MATERIAL: <i>NORYL</i>		



ADVANCED ACOUSTIC TECHNOLOGY CORPORATION

For more information, please contact AATC.

AATC