
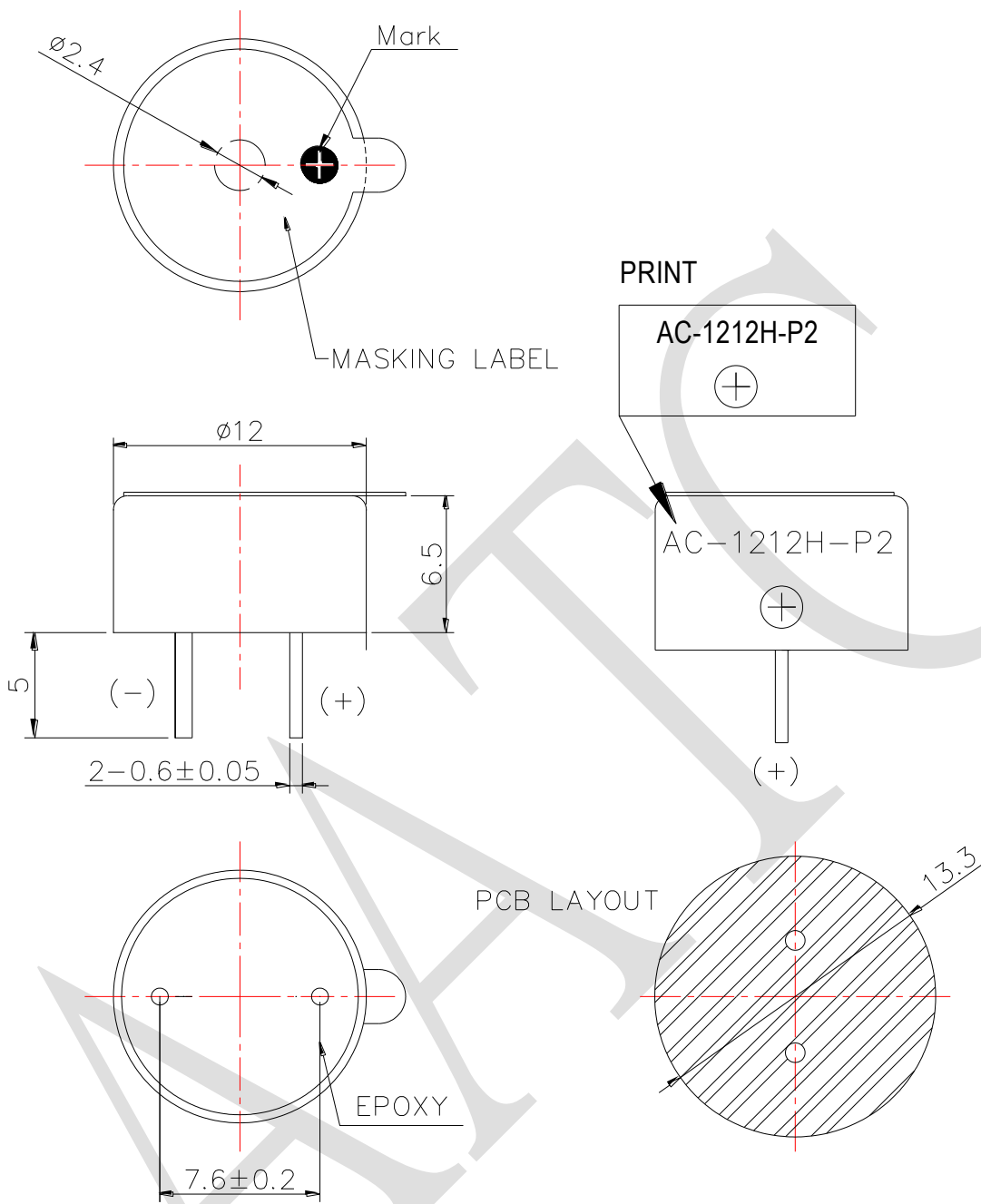


1. SPECIFICATION

AC-1212H-P2

ITEM		UNITS	SPECIFICATIONS	CONDITIONS
01	Rated Voltage	V	12	
02	Operating Voltage	V	9 ~ 15	
03	Consumption Current	mA (Max)	Mean : 40	Applying rated voltage, rated frequency Square wave, 1/2 duty subject to standard state.
			Peak : 120	
04	Direct Current Resistance	Ω	140 ± 14	
05	Sound pressure level (Distance at 10cm)	dBA (Min)	85	Applying rated voltage, rated frequency Square wave, 1/2 duty subject to standard state.
06	Rated Frequency	Hz	2400	

REV NO.	REVISION NOTE	APPROVAL	DATE
---------	---------------	----------	------



RoHS

TITLE: ELECTRO MAGNETIC BUZZER		DRAWN: Zack	2014/08/11	SCALE: 4:1	SHEET: 1 of 1
PART NO. AC-1212H-P2		DESIGNED: R&D OF AAT		UNITS: mm	
DWG NO. BM1265-1224-140		CHECKED:		TOLERANCE ± 0.5	
		APPROVAL:		UNLESS OTHERWISE SPECIFIED:	
REV 1		MATERIAL: PBT		ONE PLACE DECIMAL \pm ***	
				TWO PLACE DECIMAL \pm ***	
				THREE PLACE DECIMAL \pm ***	



ADVANCED ACOUSTIC TECHNOLOGY CORPORATION

For more information, please contact AATC.

AATC