

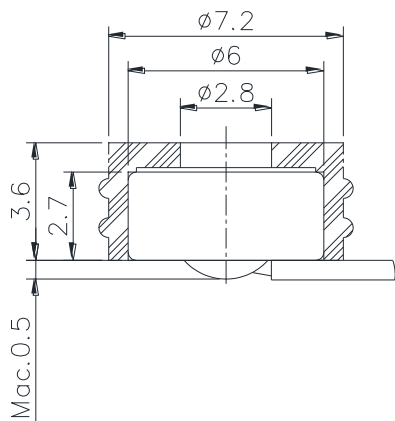
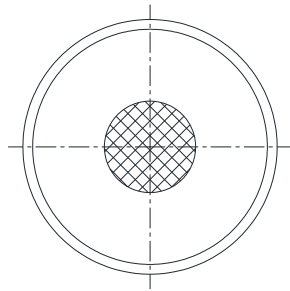
File Name:

1. SPECIFICATIONS

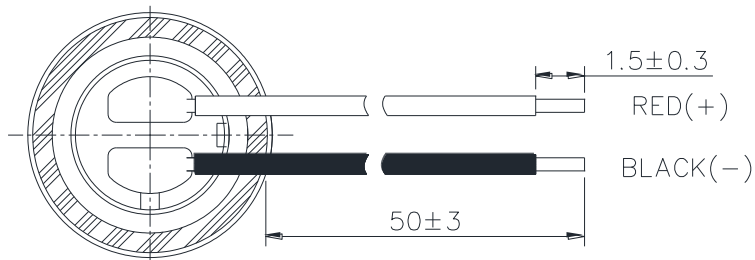
AMF-O60F40-CWH-LF

| | | |
|----|-----------------------------------|---|
| 01 | Electret Type | Foil type |
| 02 | Sensitivity | -40±3dB (0dB=1V/Pa,1KHz) Band form 300 to 3K Hz |
| 03 | Output Impedance (Max) | 2.2KΩ |
| 04 | Directivity | Omnidirectional |
| 05 | Frequency Range | 70 - 20KHz |
| 06 | Max.Operation Voltage | 10V |
| 07 | Standard Operation Voltage | 2.0V |
| 08 | Current Consumption | Max.0.5mA |
| 09 | Sensitivity Reduction | Within -3dB 0dB=1V/Pa,1KHz Vs=2.0 to 1.5V |
| 10 | S/N Ratio | >= 60dB |

| | | | |
|---------|---------------|----------|------|
| REV NO. | REVISION NOTE | APPROVAL | DATE |
|---------|---------------|----------|------|



HOLDER : HLM-JT-070 .
 WIRE : UL 1571 , 32 AWG .
 MIC. : ⊗ * 2.7mm .



| | | | | |
|-----------------------------------|--|-------------------------------|--|---------------|
| TITLE: MICROPHONE | | DRAWN: <i>JOHN</i> 05/18/2006 | SCALE: 5:1 | SHEET: 1 of 1 |
| PART NO. AMF-060F40-CWH-LF | | DESIGNED: R & D OF AAT | UNITS: mm | |
| DWG NO. DTM-1370 | | CHECKED: | TOLERANCE ± 0.2 | |
| | | APPROVAL: | UNLESS OTHERWISE SPECIFIED: ONE PLACE DECIMAL ± *** TWO PLACE DECIMAL ± *** THREE PLACE DECIMAL ± *** | |
| REV 1 | | MATERIAL: ***** | | |



ADVANCED ACOUSTIC TECHNOLOGY CORPORATION

For more information, please contact AATC.