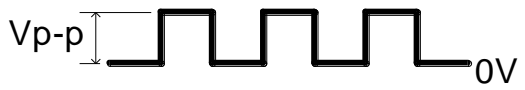
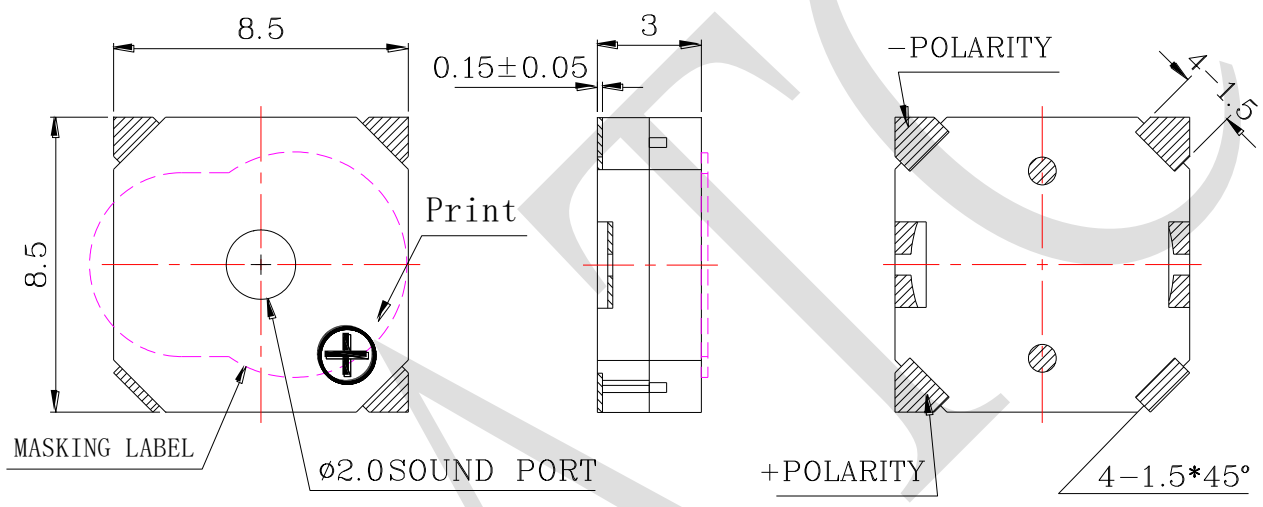


# 1. SPECIFICATION

AD-8505-PQ1

ITEM		UNITS	SPECIFICATIONS	CONDITIONS
01	Rated Voltage	V	5.0	
02	Operating Voltage	V	3.0 ~ 6.0	
03	Current Consumption	mA (Max)	Mean : 100	Applying rated voltage, rated frequency Square wave, 1/2 duty subject to standard state.
			Peak : 300	
04	Direct Current Resistance	$\Omega$	$32 \pm 5$	
05	Sound Output (Distance at 10cm )	dBA	87~94 at 5V	Applying rated voltage, rated frequency Square wave, 1/2 duty subject to standard state.
			85~92 at 3V	
06	Rated Frequency	Hz	4000	

REV NO.	REVISION NOTE	APPROVAL	DATE
---------	---------------	----------	------



RoHS

TITLE: SOUND TRANSDUCER (SMD)		DRAWN: <b>Zack</b>	2017/01/09	SCALE: 1:1	SHEET: 1 : 1
PART NO. AD-8505-PQ1		DESIGNED: R & D OF AAT		UNITS: mm	
DWG NO. SMD-085030F-05040R32		CHECKED:		TOLERANCE ± 0.5	
		APPROVAL:		UNLESS OTHERWISE SPECIFIED:	
REV	3	MATERIAL: LCP		ONE PLACE DECIMAL ± ***	
				TWO PLACE DECIMAL ± ***	
				THREE PLACE DECIMAL ± ***	



ADVANCED ACOUSTIC TECHNOLOGY CORPORATION

For more information, please contact AATC.

AATC