

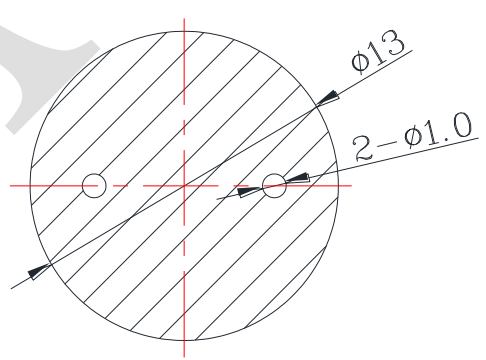
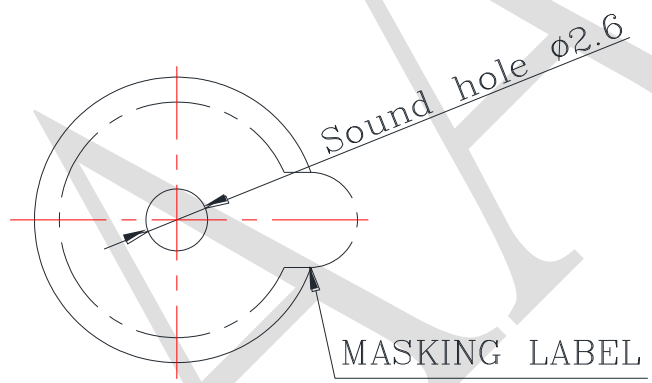
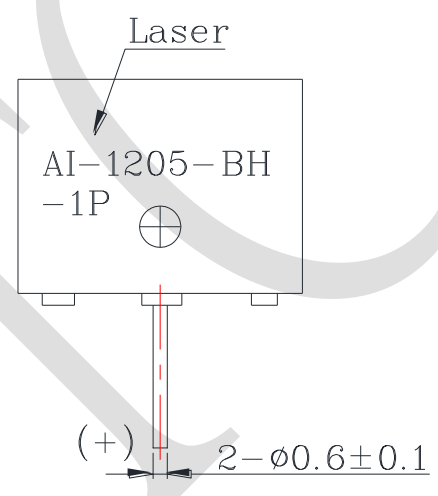
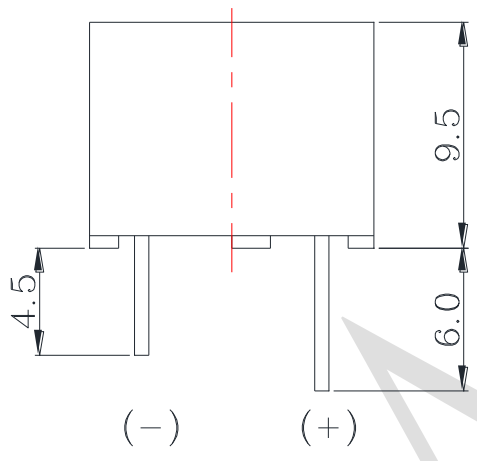
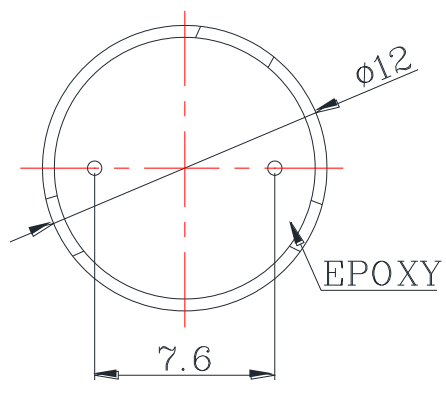
# 1. SPECIFICATION

AI-1205-BH-1P

| ITEM |                          | UNITS      | SPECIFICATIONS | CONDITIONS |
|------|--------------------------|------------|----------------|------------|
| 01   | Rated Voltage            | V          | 5              |            |
| 02   | Operating Voltage        | V          | 3 ~ 7          |            |
| 03   | Mean consumption Current | mA<br>Max. | 30             |            |
| 04   | Resonant Frequency       | Hz         | 2300 ± 300     |            |
| 05   | Response times           | ms         | ≥ 100          |            |
| 06   | Sound pressure level     | dB(A)      | Min. 85        |            |

Rated Voltage, Distance at 10cm

|         |               |          |      |
|---------|---------------|----------|------|
| REV NO. | REVISION NOTE | APPROVAL | DATE |
|---------|---------------|----------|------|



RECOMMENDED PCB LAYOUT

※禁止極性反接※  
Prohibit reverse polarity

RoHS

|                                |                      |            |                             |               |
|--------------------------------|----------------------|------------|-----------------------------|---------------|
| TITLE: ELECTRO MAGNETIC BUZZER | DRAWN: Zack          | 2016/01/18 | SCALE: 4:1                  | SHEET: 1 of 1 |
| PART NO. AI-1205-BH-1P         | DESIGNED: R&D OF AAT |            | UNITS: mm                   |               |
| DWG NO. UGCM1205XPIC           | CHECKED:             |            | TOLERANCE ± 0.5             |               |
|                                | APPROVAL:            |            | UNLESS OTHERWISE SPECIFIED: |               |
|                                | MATERIAL: PBT        |            | ONE PLACE DECIMAL ± ***     |               |
|                                |                      |            | TWO PLACE DECIMAL ± ***     |               |
|                                |                      |            | THREE PLACE DECIMAL ± ***   |               |



ADVANCED ACOUSTIC TECHNOLOGY CORPORATION

For more information, please contact AATC.

AATC