


1. SPECIFICATION

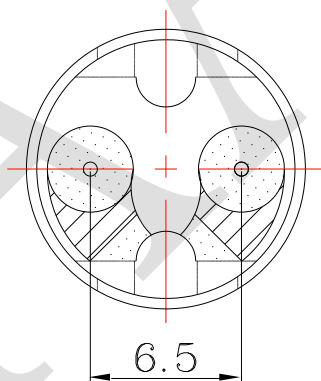
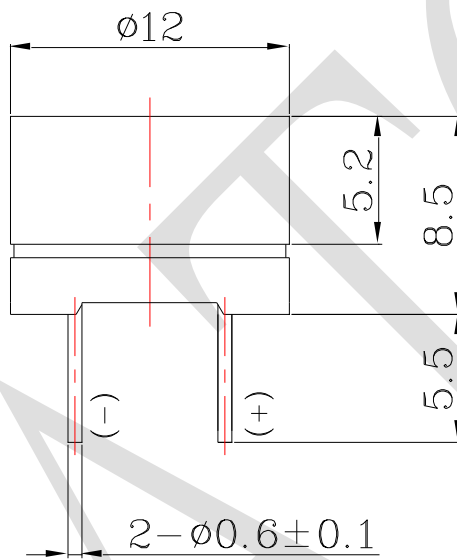
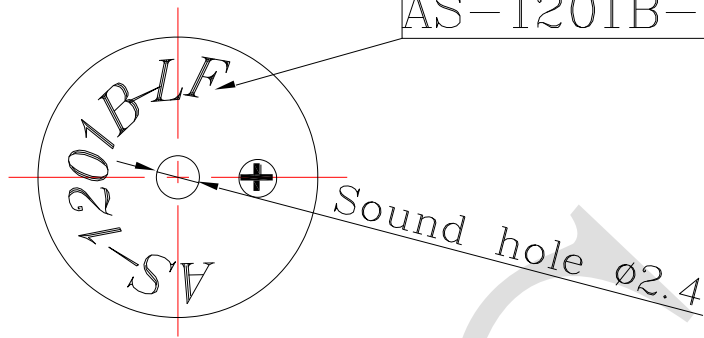
AS-1201B-LF

ITEM		UNITS	SPECIFICATIONS	CONDITIONS
01	Rated Voltage	V	1.5	
02	Operating Voltage	V	1.0 ~ 2.0	
03	Consumption Current	mA (Max)	Mean : 20	Standard state, standard drive circuit. Rated voltage, rated frequency, Square wave 1/2 duty.
			Peak : 60	
04	Sound pressure level (Distance at 10cm)	dB(A) (Min)	85	
05	Direct Current Resistance	Ω	42±6.3	
06	Rated Frequency	Hz	2048	

REV NO.	REVISION NOTE	APPROVAL	DATE
---------	---------------	----------	------

Print

AS-1201B-LF ⊕



RoHS

TITLE: ELECTRO MAGNETIC BUZZER		DRAWN: Jerry	2013/03/12	SCALE: 4:1	SHEET: 1 of 1
PART NO. AS-1201B-LF		DESIGNED: R&D OF AAT	UNITS: mm		
DWG NO. UCC12G-2P5.5A		CHECKED:	TOLERANCE ± 0.5		
		APPROVAL:	UNLESS OTHERWISE SPECIFIED:		
REV 2		MATERIAL: NORYL	ONE PLACE DECIMAL ± ***		
			TWO PLACE DECIMAL ± ***		
			THREE PLACE DECIMAL ± ***		



ADVANCED ACOUSTIC TECHNOLOGY CORPORATION

For more information, please contact AATC.

AATC