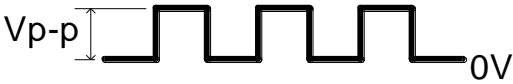
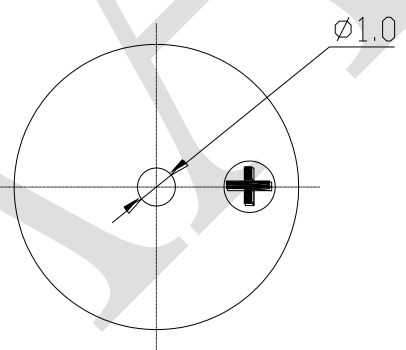
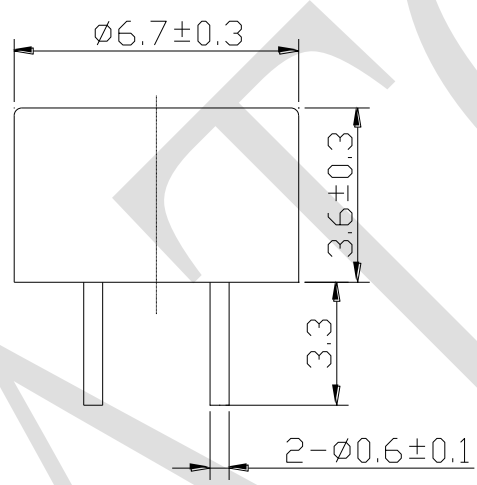
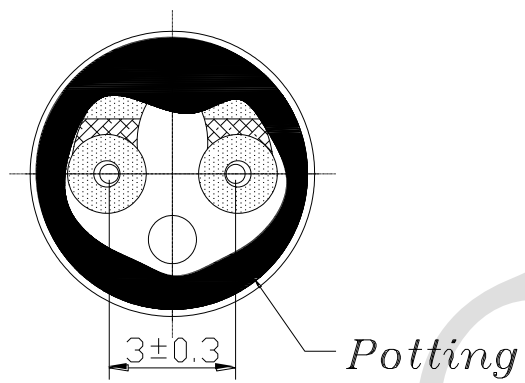


# 1. SPECIFICATION

AC-701S-P1-LF

ITEM		UNITS	SPECIFICATIONS	CONDITIONS
01	Rated Voltage	V	1.5	
02	Operating Voltage	V	1 ~ 3	
03	Consumption Current	mA Max.	80	Standard state, standard drive circuit. Square wave 1/2 duty.
04	Sound pressure level (Distance at 10cm )	dB(A) Min.	70	Rated voltage, rated frequency.
05	Direct Current Resistance	$\Omega$	$6\pm 1$	
06	Rated Frequency	Hz	3000	

REV NO.	REVISION NOTE	APPROVAL	DATE
---------	---------------	----------	------



RoHS

TITLE: ELECTRO MAGNETIC BUZZER		DRAWN: Zack	2019/07/04	SCALE: 4:1	SHEET: 1 of 1
PART NO. AC-701S-P1-LF		DESIGNED: R&D OF AAT	UNITS: mm		
DWG NO. UGCM0601APE	3 REV	CHECKED:	TOLERANCE ± 0.5		
		APPROVAL:	UNLESS OTHERWISE SPECIFIED:		
		MATERIAL: NORYL	ONE PLACE DECIMAL ± ***		
			TWO PLACE DECIMAL ± ***		
			THREE PLACE DECIMAL ± ***		



ADVANCED ACOUSTIC TECHNOLOGY CORPORATION

For more information, please contact AATC.

AATC