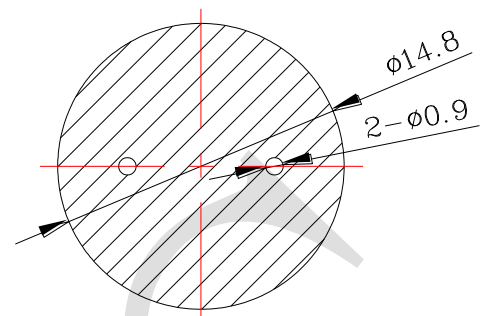
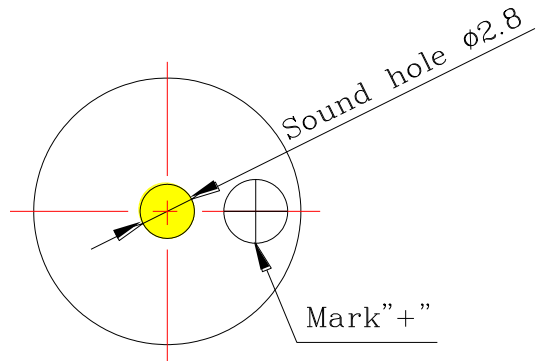


1. SPECIFICATION

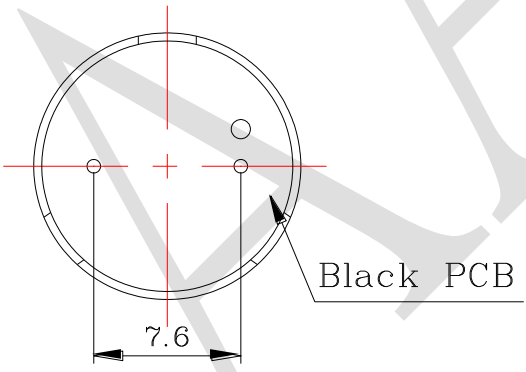
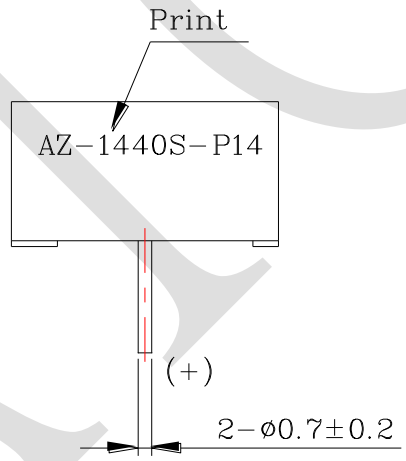
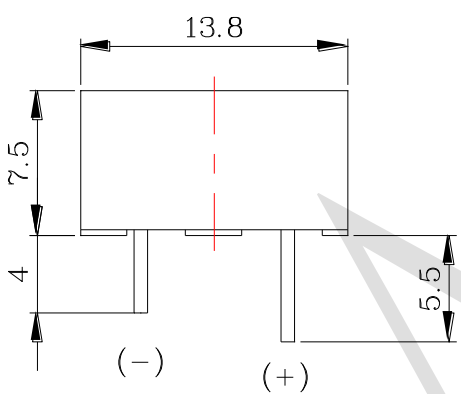
AZ-1440S-P14

ITEM		UNITS	SPECIFICATIONS	CONDITIONS
01	Rated Voltage	V	12	VDC
02	Operating Voltage	V	8~ 15	
03	Rated Current	mA(Max)	10	Rated Voltage
04	Sound pressure level (Distance at 10cm)	dBA(Min)	85	Rated Voltage Rated Frequency
05	Rated Frequency	Hz	4000	Rated Voltage
06	Resonant Frequency	Hz	4000± 500	

REV NO.	REVISION NOTE	APPROVAL	DATE
---------	---------------	----------	------



RECOMMEND PCB LAYOUT



RoHS

TITLE: PIEZO BUZZER		DRAWN: Zack	2014/12/15	SCALE: 2:1	SHEET: 1 of 1
PART NO. AZ-1440S-P14		DESIGNED: R & D OF AAT	UNITS: mm		
DWG NO. BPC1475-1240(021-147536-02)		CHECKED:	TOLERANCE ± 0.5		
		APPROVAL:	UNLESS OTHERWISE SPECIFIED: ONE PLACE DECIMAL \pm *** TWO PLACE DECIMAL \pm *** THREE PLACE DECIMAL \pm ***		
REV 1		MATERIAL: PBT			



ADVANCED ACOUSTIC TECHNOLOGY CORPORATION

For more information, please contact AATC.

AATC