
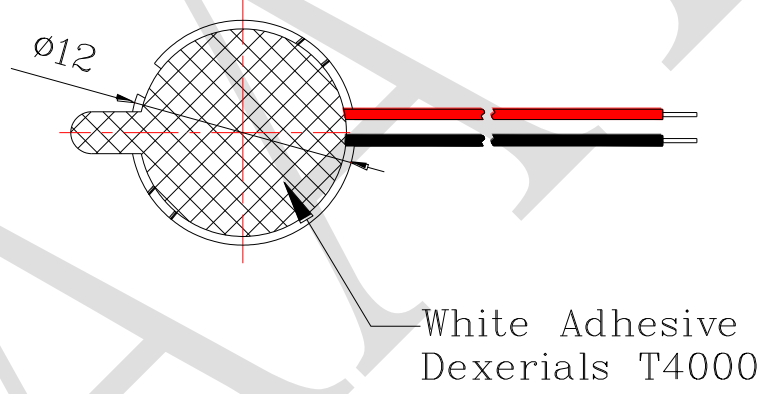
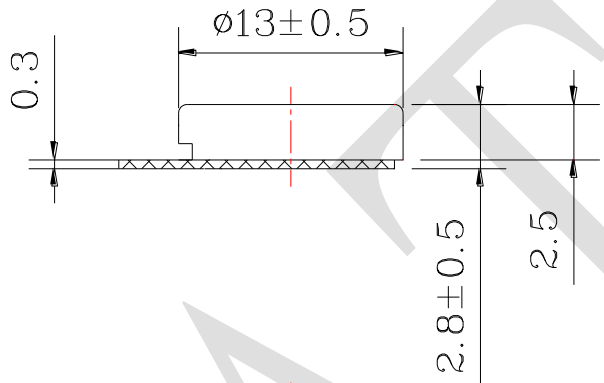
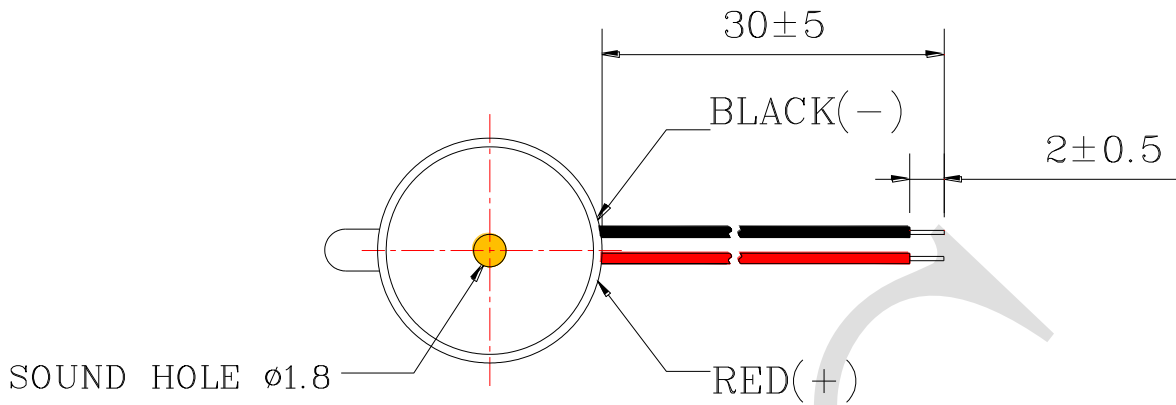


1. SPECIFICATION

AZ-1348E-6WV1

ITEM		UNITS	SPECIFICATIONS	CONDITIONS
01	Rated Voltage	V	10	 Square wave 1/2 duty.
02	Operating Voltage	V	1 ~ 25	
03	Consumption Current	mA (Max)	5	
04	Sound pressure level (Distance at 10cm)	dB(A) (Min)	80	Rated voltage, rated frequency.
05	Capacitance	pF	14000±30%	At 120Hz
06	Rated Frequency	Hz	4800	

REV NO.	REVISION NOTE	APPROVAL	DATE
---------	---------------	----------	------



Wire: UL 1571.AWG32#

RoHS

TITLE: <i>PIEZO BUZZER</i>	DRAWN: Zack 2018/12/13	SCALE: 2:1	SHEET: 1:1
PART NO. <i>AZ-1348E-6WV1</i>	DESIGNED: R&D OF AAT	UNITS: mm	TOLERANCE ± 0.3
DWG NO. *****	1 REV	CHECKED:	UNLESS OTHERWISE SPECIFIED:
		APPROVAL:	ONE PLACE DECIMAL ± ***
		MATERIAL: ABS	TWO PLACE DECIMAL ± ***
		THREE PLACE DECIMAL ± ***	



ADVANCED ACOUSTIC TECHNOLOGY CORPORATION

For more information, please contact AATC.

AATC