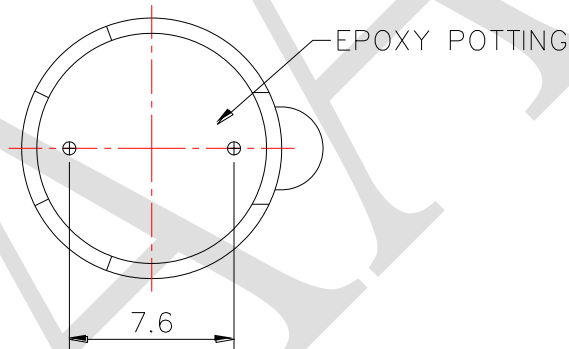
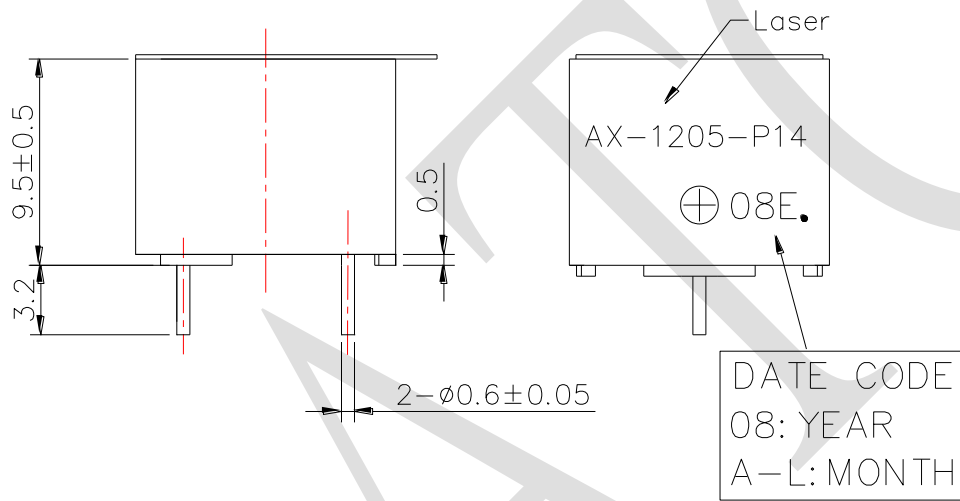
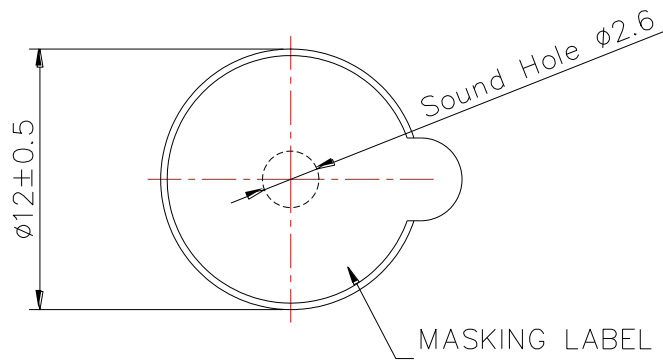


1. SPECIFICATION

AX-1205-P14

ITEM		UNITS	SPECIFICATIONS	CONDITIONS
01	Rated Voltage	V	5	
02	Operating Voltage	V	4 ~ 7	
03	Consumption Current	mA (Max)	35	Rated Voltage
04	Resonant Frequency	Hz	2300 ± 300	Rated Voltage
05	Response times	ms	≥ 100	
06	Sound pressure level	dB(A) Min.	85	Distance at 10cm Rated Voltage / Resonant Frequency

REV NO.	REVISION NOTE	APPROVAL	DATE
---------	---------------	----------	------



RoHS

TITLE: ELECTRO MAGNETIC BUZZER		DRAWN: Zack	2019/01/14	SCALE: 4:1	SHEET: 1 of 1
PART NO. AX-1205-P14		DESIGNED: R&D OF AAT		UNITS: mm	
DWG NO. UGCM1205XP3.2IC		CHECKED:		TOLERANCE ± 0.5	
		APPROVAL:		UNLESS OTHERWISE SPECIFIED:	
REV	5	MATERIAL: PBT		ONE PLACE DECIMAL \pm ***	
				TWO PLACE DECIMAL \pm ***	
				THREE PLACE DECIMAL \pm ***	



ADVANCED ACOUSTIC TECHNOLOGY CORPORATION

For more information, please contact AATC.

AATC