

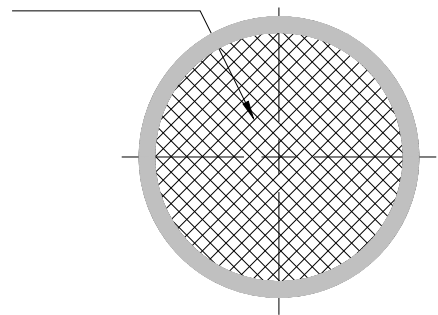
## 1. SPECIFICATIONS

AMB-O40J40-CWH-IP67

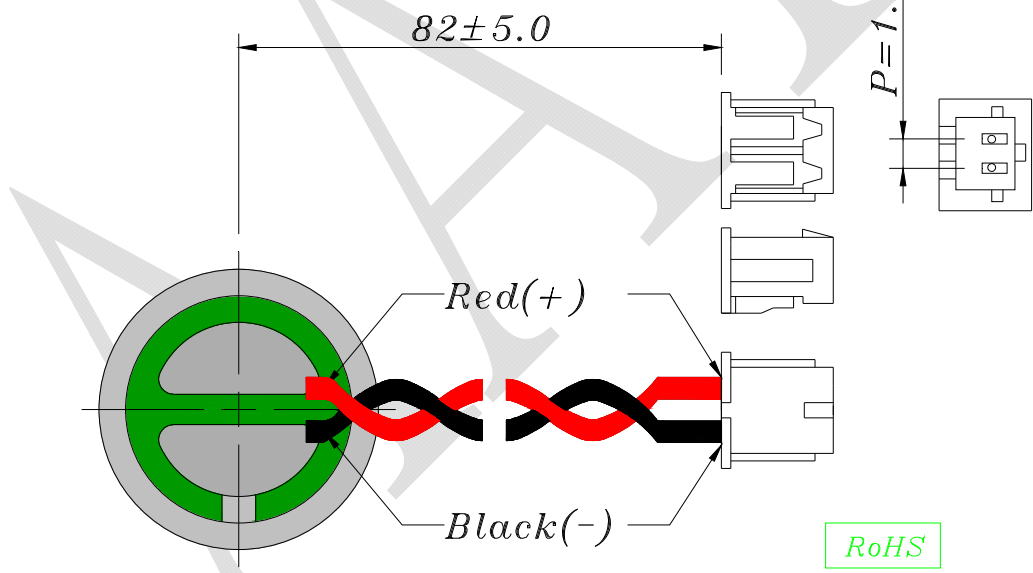
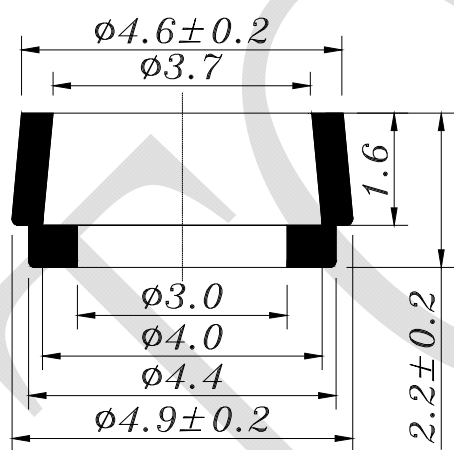
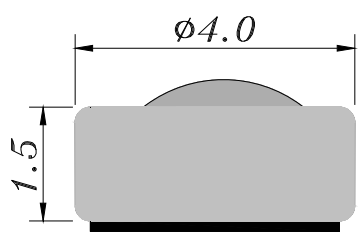
01	Electret's Type	Back type	
02	Sensitivity	-40±3dB (0dB=1V/Pa,1KHz)	
03	Standard Operation Voltage	2.0 V	
04	Output Impedance	2.2 KΩ	
05	Directivity	Omni directional	
06	Frequency Range	100 - 20K Hz	
07	Max. Operation Voltage	10V	
08	Current Consumption	Max.0.5mA	
09	Sensitivity Reduction	Within -3dB 0dB=1V/Pa,1KHz Vs=2.0to 1.5V	
10	S/N Ratio	≥ 58dB	
11	Operating Temperature	-20~+60°C	
12	Storage Temperature	-30~+70°C	
13	Dustproof Standards	IP6X	Totally protected against dust.
	Waterproof Standards	IPX7	Protected against the effects of immersion between 15cm and 1M.

REV NO.	REVISION NOTE	APPROVAL	DATE
---------	---------------	----------	------

### Waterproof (White,IP67)



Wires: UL1571,32#AWG;  
 Connector:Molex 51021-0200 Equivalent .  
 Holder:DD-EQ-JTA49-07



RoHS

TITLE:	MICROPHONE	DRAWN:	<i>Zack</i> 2012/07/04	SCALE:	5:1	SHEET:	1 of 1
PART NO.	AMB-040J40-CWH-IP67	DESIGNED:	R & D OF AAT	UNITS:	mm	TOLERANCE ± 0.3	
DWC NO.	B4015AL-SFN-D80-M 9427	CHECKED:		UNLESS OTHERWISE SPECIFIED:			
		APPROVAL:		ONE PLACE DECIMAL ± ***			
		MATERIAL:	*****	TWO PLACE DECIMAL ± ***			
		REV		THREE PLACE DECIMAL ± ***			



ADVANCED ACOUSTIC TECHNOLOGY CORPORATION

For more information, please contact AATC.

AATC