

1. SPECIFICATIONS

AMF-O60F42-CB1-LF

01	Electret's Type	Foil type
02	Sensitivity	-42±3dB (0dB=1V/Pa,1KHz)
03	Standard Operation Voltage	2.0 V
04	Output Impedance	2.2 KΩ
05	Directivity	Omni directional
06	Frequency Range	100 - 20K Hz
07	Max. Operation Voltage	10V
08	Current Consumption	Max.0.5mA
09	Sensitivity Reduction	Within -3dB 0dB=1V/Pa,1KHz Vs=2.0to 1.5V
10	S/N Ratio	≥58dB
11	Sound Pressure Level	110 dB

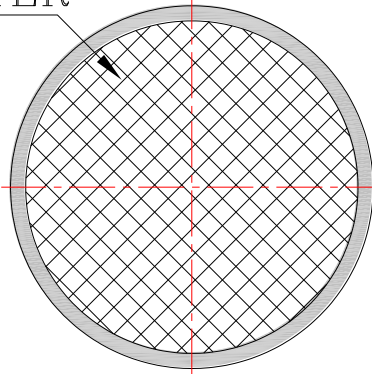
REV NO.

REVISION NOTE

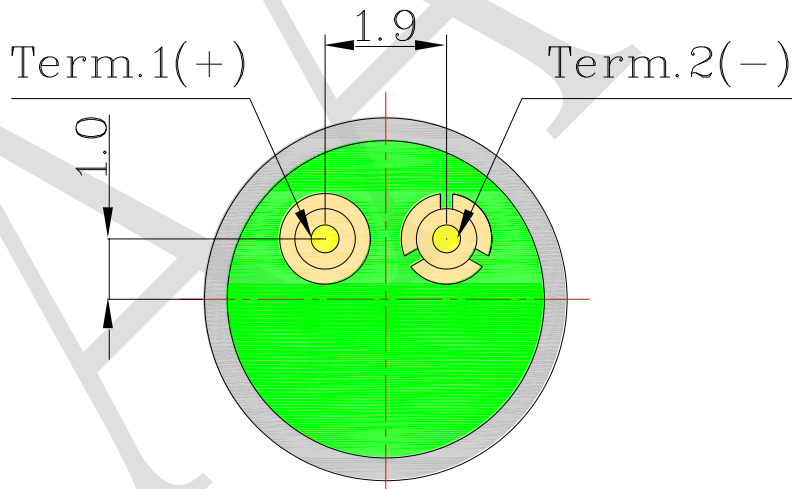
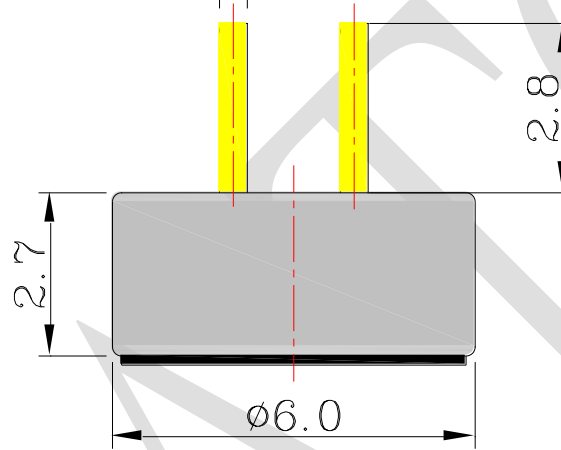
APPROVAL

DATE

FILTER



2- $\phi 0.45 \pm 0.05$



RoHS

TITLE: MICROPHONE		DRAWN: <i>Jerry</i> 2013/01/17	SCALE: 5:1	SHEET: 1 of 1
PART NO. AMF-060F42-CB1-LF		DESIGNED: R & D OF AAT	UNITS: mm	
DWG NO. F6027AP-SDN(P=2.8) 6741		CHECKED:	TOLERANCE ± 0.3	
		APPROVAL:	UNLESS OTHERWISE SPECIFIED: ONE PLACE DECIMAL \pm *** TWO PLACE DECIMAL \pm *** THREE PLACE DECIMAL \pm ***	
REV	2	MATERIAL: *****		



ADVANCED ACOUSTIC TECHNOLOGY CORPORATION

For more information, please contact AATC.

AATC