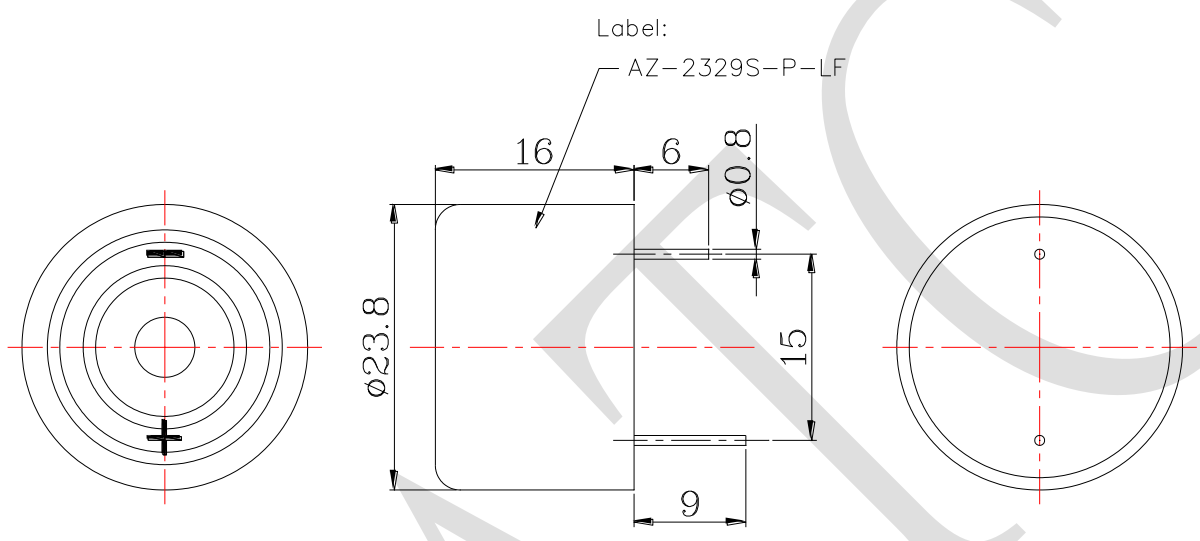


1. SPECIFICATION

AZ-2329S-P-LF

ITEM		UNITS	SPECIFICATIONS	CONDITIONS
01	Rated Voltage	V	12	
02	Operating Voltage	V	3 ~ 20	
03	Consumption Current	mA (Max)	8	Rated Voltage
04	Resonant Frequency	Hz	2900 ± 500	Rated Voltage
05	Response times	ms	≥ 100	
06	Sound pressure level	dB(A) Min.	85	Distance at 30cm Rated Voltage / Resonant Frequency

REV NO.	REVISION NOTE	APPROVAL	DATE
---------	---------------	----------	------



RoHS

TITLE:	PIEZO BUZZER		DRAWN:	Zack	2019/10/14	SCALE:	2:1	SHEET:	1 of 1
PART NO.	AZ-2329S-P-LF		DESIGNED:	R & D OF AAT		UNITS:	mm		
DWG NO.	5	REV	CHECKED:			TOLERANCE	± 0.5		
			APPROVAL:			UNLESS OTHERWISE SPECIFIED:	ONE PLACE DECIMAL \pm ***		
			MATERIAL:	NORYL		TWO PLACE DECIMAL \pm ***	THREE PLACE DECIMAL \pm ***		



ADVANCED ACOUSTIC TECHNOLOGY CORPORATION

For more information, please contact AATC.

AATC