


1. SPECIFICATION

AZ-3511E-2C

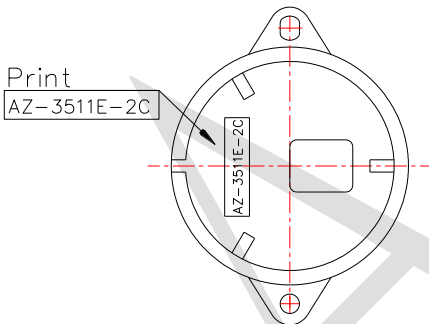
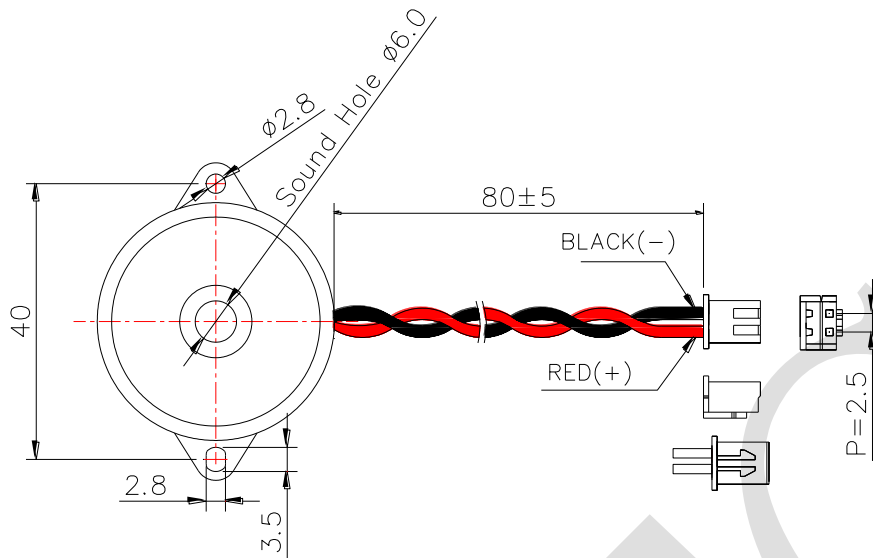
ITEM		UNITS	SPECIFICATIONS	CONDITIONS
01	Rated Voltage	V	10	 <p>Square wave 1/2 duty.</p>
02	Operating Voltage	V	1~ 30	
03	Consumption Current	mA (Max)	9	
04	Sound pressure level (Distance at 10cm)	dB(A) (Min)	80	Rated voltage, rated frequency.
05	Capacitance	pF	50000±30%	At 1KHz
06	Rated Frequency	Hz	1100± 500	

REV NO.

REVISION NOTE

APPROVAL

DATE



WIRE: UL1007, AWG28#

Connector: Equivalent to JST XHP-02

RoHS

TITLE: <i>PIEZO BUZZER</i>		DRAWN: Zack	2017/07/25	SCALE: 2:1	SHEET: 1:1
PART NO. <i>AZ-3511E-2C</i>		DESIGNED: <i>R&D OF AAT</i>	UNITS: <i>mm</i>		
DWG NO. <i>BP3590W80C-11</i>		CHECKED:	TOLERANCE ± 0.5		
		APPROVAL:	UNLESS OTHERWISE SPECIFIED: ONE PLACE DECIMAL ± *** TWO PLACE DECIMAL ± *** THREE PLACE DECIMAL ± ***		
REV 2		MATERIAL: <i>ABS</i>			



ADVANCED ACOUSTIC TECHNOLOGY CORPORATION

For more information, please contact AATC.

AATC