

# 1. SPECIFICATION

AX-1606-LF

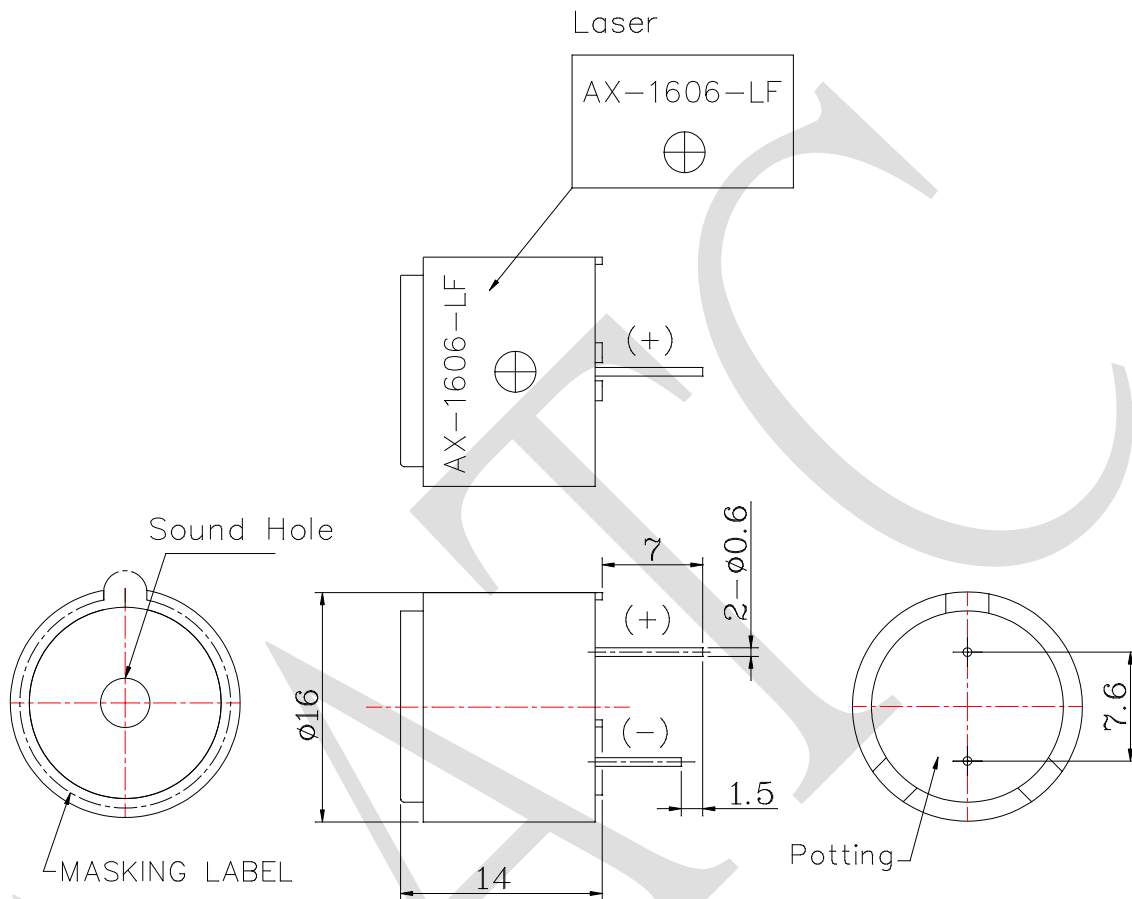
ITEM		UNITS	SPECIFICATIONS	CONDITIONS
01	Rated Voltage	V	6	
02	Operating Voltage	V	3 ~ 9	
03	Consumption Current	mA (Max)	30	Rated Voltage
04	Resonant Frequency	Hz	2200± 300	Rated Voltage
05	Response times	ms	≥ 100	
06	Sound pressure level	dB(A) Min.	85	Distance at 10cm Rated Voltage / Resonant Frequency

REV NO.

REVISION NOTE

APPROVAL

DATE



RoHS

TITLE: ELECTRO MAGNETIC BUZZER		DRAWN: SUNNY 2019-3-28	SCALE: 4:1	SHEET: 1 of 1
PART NO. AX-1606-LF	5	DESIGNED: R&D OF AAT	UNITS: mm	
DWG NO. UGCM1606XP-2200		CHECKED:	TOLERANCE $\pm 0.5$	
REV		APPROVAL:	UNLESS OTHERWISE SPECIFIED: ONE PLACE DECIMAL $\pm$ *** TWO PLACE DECIMAL $\pm$ *** THREE PLACE DECIMAL $\pm$ ***	
		MATERIAL: NORYL		



ADVANCED ACOUSTIC TECHNOLOGY CORPORATION

For more information, please contact AATC.

AATC