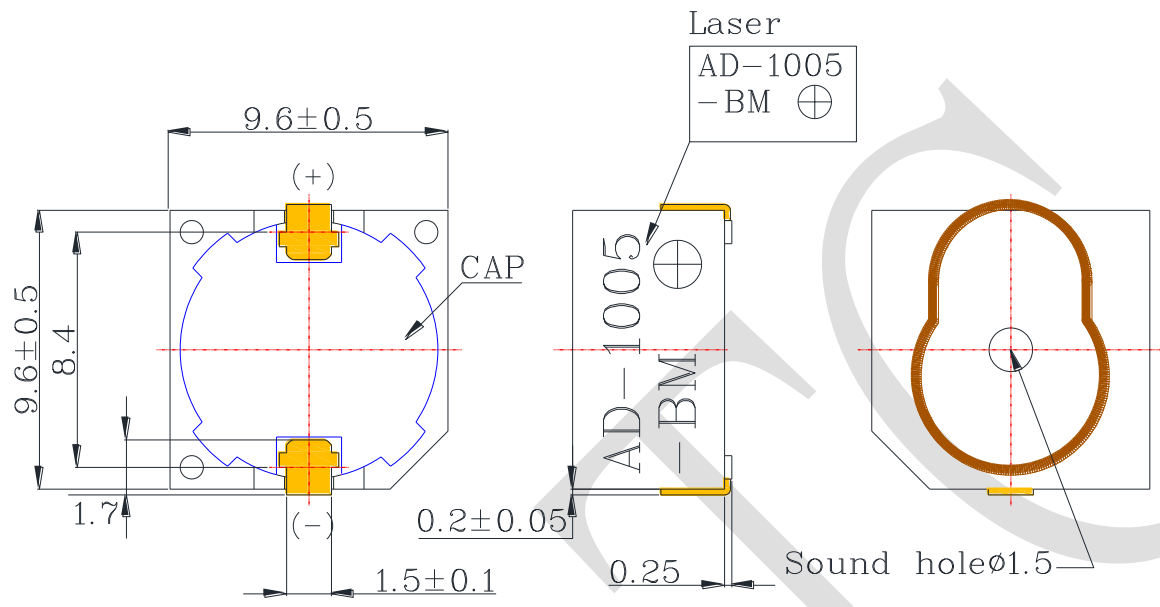


1. SPECIFICATION

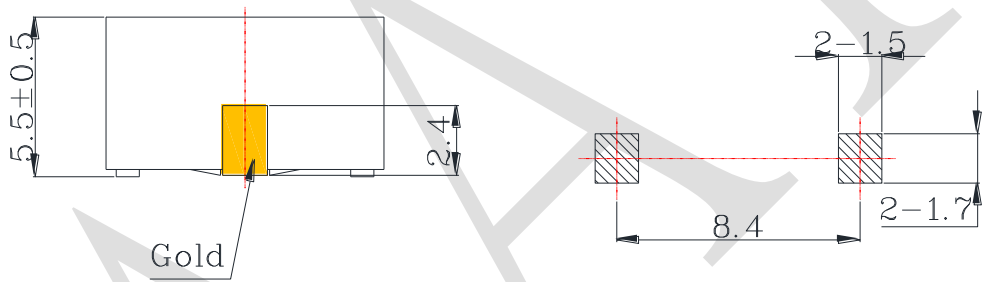
AD-1005-BM

ITEM		UNITS	SPECIFICATIONS	CONDITIONS
01	Rated Voltage	V	5	
02	Operating Voltage	V	3 ~ 8	
03	Consumption Current	mA (Max)	30	Rated Voltage
04	Resonant Frequency	Hz	2700 ± 300	Rated Voltage
05	Response times	ms	≥ 100	
06	Sound pressure level	dB(A) Min.	80	Distance at 10cm Rated Voltage / Resonant Frequency

REV NO.	REVISION NOTE	APPROVAL	DATE
---------	---------------	----------	------



RECOMMENDED P.C.B LAYOUT



RoHS

TITLE: SOUND TRANSDUCER (SMD)		DRAWN: Zack	2020/03/11	SCALE: 1:1	SHEET: 1 : 1
PART NO. AD-1005-BM		DESIGNED: R & D OF AAT	UNITS: mm		
DWC NO. SMD-096055F-05027BJ	2 REV	CHECKED:	TOLERANCE ± 0.5		
		APPROVAL:	UNLESS OTHERWISE SPECIFIED:		
		MATERIAL: PPS	ONE PLACE DECIMAL ± ***		
			TWO PLACE DECIMAL ± ***		
			THREE PLACE DECIMAL ± ***		



ADVANCED ACOUSTIC TECHNOLOGY CORPORATION

For more information, please contact AATC.

AATC