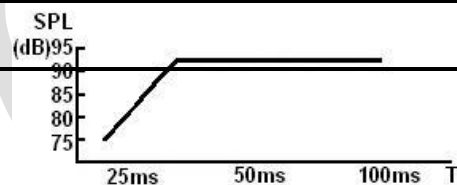


# 1. SPECIFICATION

AX-1212-H2-LF

ITEM		UNITS	SPECIFICATIONS	CONDITIONS
01	Rated Voltage	V	12	VDC
02	Operating Voltage	V	8 ~ 16	
03	Consumption Current	mA (Max)	Mean : 35	Rated Voltage
			Peak : 105	
04	Sound Output	dBA (Min)	83	Distance at 10cm
05	Resonant Frequency	Hz	2300 ± 300	

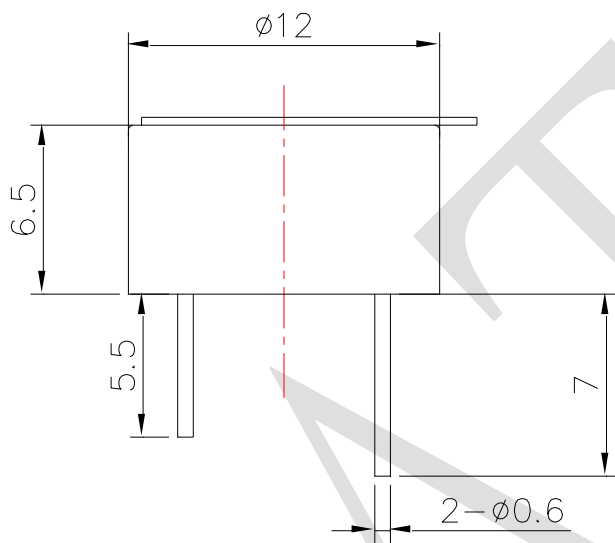
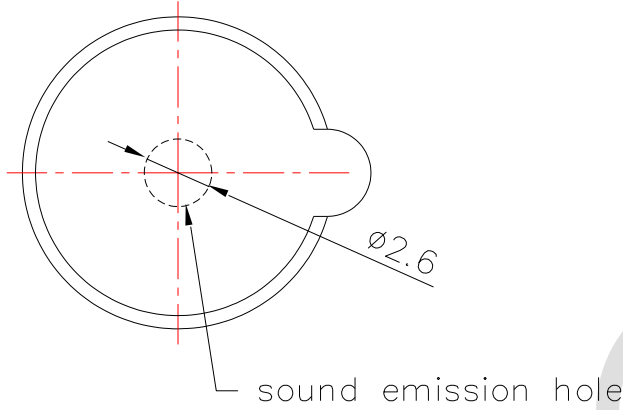


REV NO.

REVISION NOTE

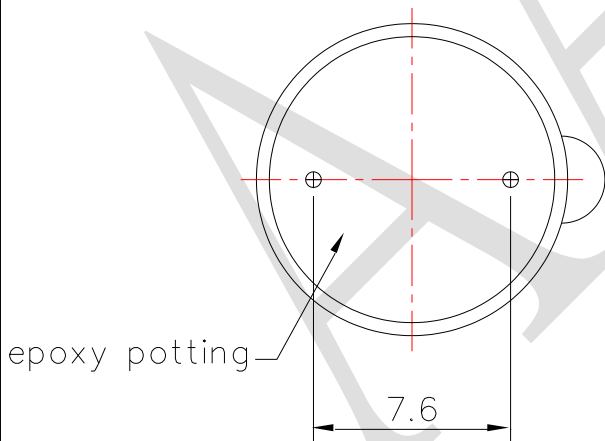
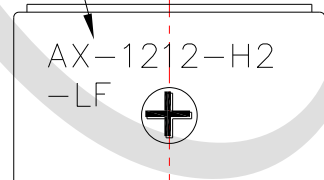
APPROVAL

DATE



PRINT

AX-1212-H2  
-LF  $\oplus$



RoHS

TITLE: ELECTRO MAGNETIC BUZZER

DRAWN: Zack 2012/06/04

SCALE: 4:1 SHEET: 1 of 1

PART NO. AX-1212-H2-LF

DESIGNED: R&D OF AAT

UNITS: mm

CHECKED:

TOLERANCE  $\pm 0.5$

APPROVAL:

UNLESS OTHERWISE SPECIFIED:

DWG NO. UGCM1212GXP7.0/5.5

1

MATERIAL: NORYL

ONE PLACE DECIMAL  $\pm$  \*\*\*

TWO PLACE DECIMAL  $\pm$  \*\*\*

THREE PLACE DECIMAL  $\pm$  \*\*\*



苙翔科技股份有限公司  
ADVANCED ACOUSTIC TECHNOLOGY CORPORATION

For more information, please contact AATC.

AATC