

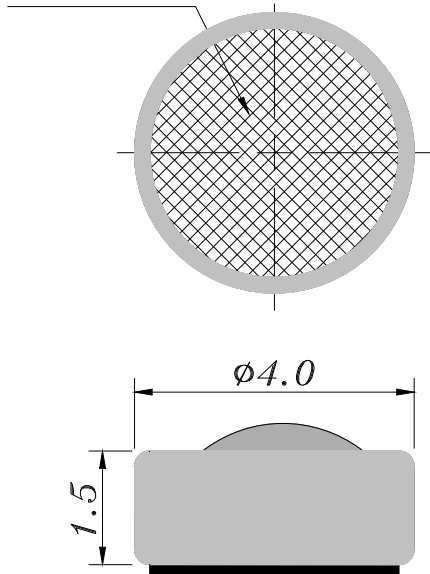
## 1. SPECIFICATIONS

AMB-O40J40-CW-IP67

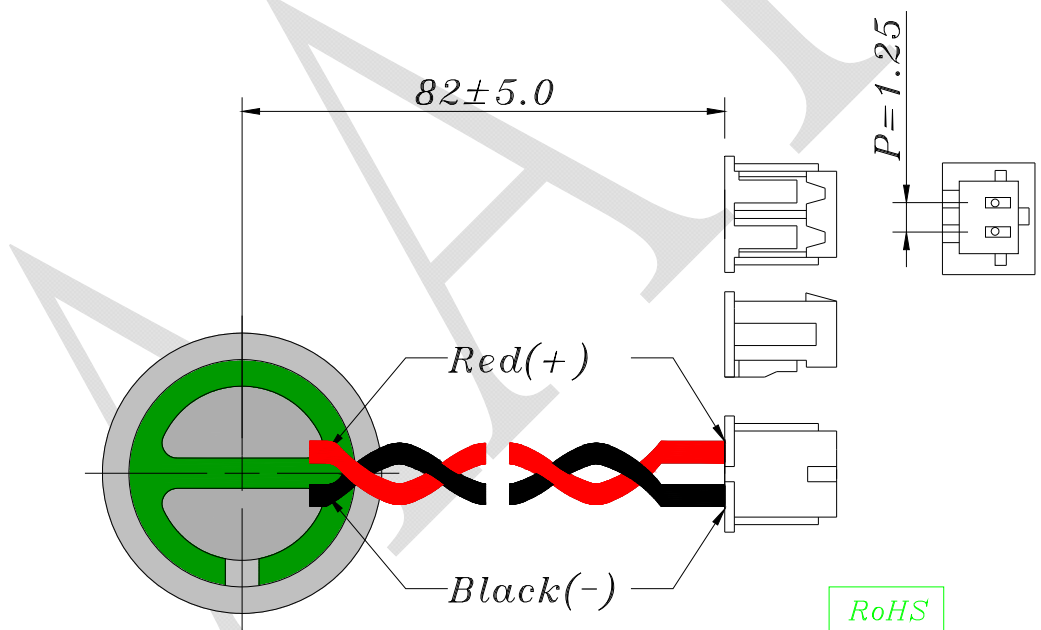
01	Electret's Type	Back type
02	Sensitivity	-40±3dB (0dB=1V/Pa,1KHz)
03	Standard Operation Voltage	2.0 V
04	Output Impedance	2.2 KΩ
05	Directivity	Omni directional
06	Frequency Range	100 - 20K Hz
07	Max. Operation Voltage	10V
08	Current Consumption	Max.0.5mA
09	Sensitivity Reduction	Within -3dB 0dB=1V/Pa,1KHz Vs=2.0to 1.5V
10	S/N Ratio	≥ 58dB
11	Operating Temperature	-20~+60°C
12	Storage Temperature	-30~+70°C

REV NO.	REVISION NOTE	APPROVAL	DATE
---------	---------------	----------	------

Waterproof (White, IP67)



Wires: UL1571,30#AWG;  
Connector: Equivalent to Molex 51021-0200



TITLE: <i>MICROPHONE</i>	DRAWN: <i>Jack</i> 2013/04/17	SCALE: 5:1	SHEET: 1 of 1
PART NO. <i>AMB-040J40-CW-IP67</i>	DESIGNED: R & D OF AAT	UNITS: mm	TOLERANCE ± 0.3
DWG NO. <i>B4015AL-SFN-D80 9965</i>	1 REV	CHECKED:	UNLESS OTHERWISE SPECIFIED:
		APPROVAL:	ONE PLACE DECIMAL ± ***
	MATERIAL: *****		TWO PLACE DECIMAL ± ***
			THREE PLACE DECIMAL ± ***



ADVANCED ACOUSTIC TECHNOLOGY CORPORATION

For more information, please contact AATC.

AATC