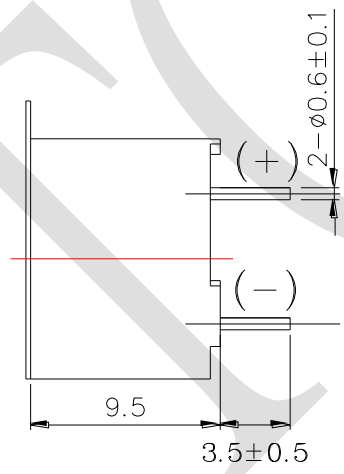
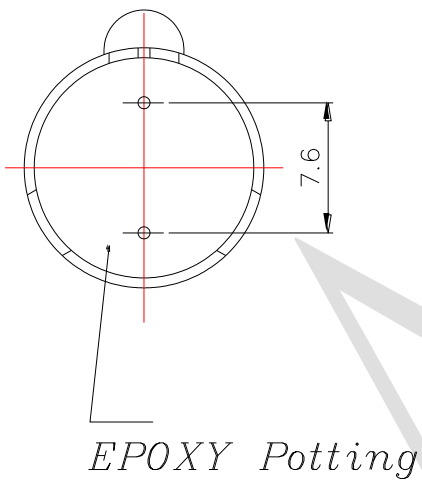
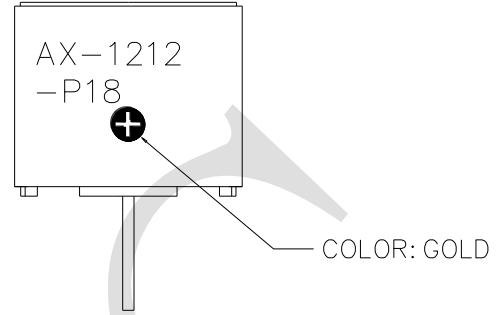
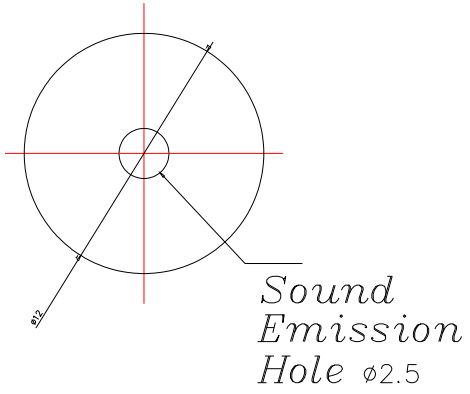


1. SPECIFICATION

AX-1212-P18

ITEM		UNITS	SPECIFICATIONS	CONDITIONS
01	Rated Voltage	V	12	
02	Operating Voltage	V	8 ~ 16	
03	Consumption Current	mA (Max)	15	Rated Voltage
04	Resonant Frequency	Hz	2400± 300	Rated Voltage
05	Response times	ms	≥ 100	
06	Sound pressure level	dB(A) Min.	85	Distance at 10cm Rated Voltage / Resonant Frequency

REV NO.	REVISION NOTE	APPROVAL	DATE
---------	---------------	----------	------



TITLE: SOUND TRANSDUCER DIMENSIONS		DRAWN: Moose 2017/01/23	SCALE: 3/1	SHEET: 1 OF 1
PART NO. AX-1212-P18	1	DESIGNED: R&D OF AAT	UNITS: mm	TOLERANCE ± 0.5
DWG NO. GS12S12-AX-1		CHECKED:	UNLESS OTHERWISE SPECIFIED: ONE PLACE DECIMAL \pm *** TWO PLACE DECIMAL \pm *** THREE PLACE DECIMAL \pm ***	
	REV	APPROVAL:	MATERIAL: PBT	



ADVANCED ACOUSTIC TECHNOLOGY CORPORATION

For more information, please contact AATC.

AATC