
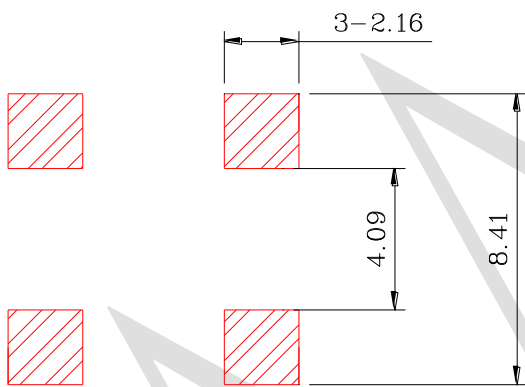
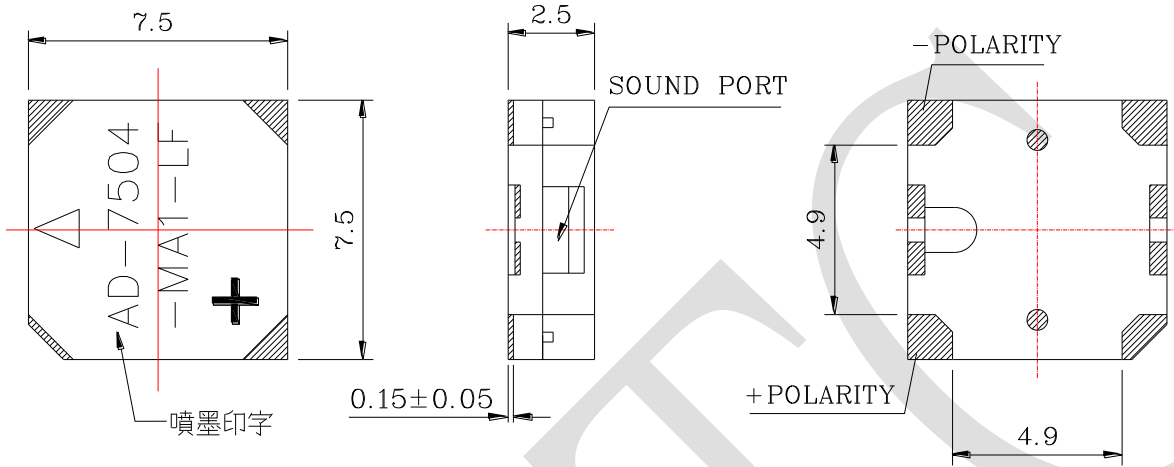


# 1. SPECIFICATION

AD-7504-MA1-LF

ITEM		UNITS	SPECIFICATIONS	CONDITIONS
01	Rated Voltage	V	3.6	
02	Operating Voltage	V	2.5 ~ 4.5	
03	Consumption Current	mA Max.	150	Standard state, standard drive circuit. Square wave 1/2 duty.
04	Sound pressure level (Distance at 10cm )	dB(A) Min.	80	Rated voltage, rated frequency.
05	Direct Current Resistance	$\Omega$	10 $\pm$ 2	
06	Rated Frequency	Hz	2500	

REV NO.	REVISION NOTE	APPROVAL	DATE
---------	---------------	----------	------



RECOMMENDED P.C.B LAYOUT

RoHS

TITLE: SOUND TRANSDUCER (SMD)		DRAWN: <b>Zack</b>	2017/07/21	SCALE: 1:1	SHEET: 1 : 1
PART NO. AD-7504-MA1-LF		DESIGNED: R & D OF AAT	UNITS: mm		
DWG NO. FDM-2512 SMD-075025H-03625R10		CHECKED:	TOLERANCE ± 0.5		
		APPROVAL:	UNLESS OTHERWISE SPECIFIED: ONE PLACE DECIMAL ± *** TWO PLACE DECIMAL ± *** THREE PLACE DECIMAL ± ***		
REV 4		MATERIAL: LCP			



ADVANCED ACOUSTIC TECHNOLOGY CORPORATION

For more information, please contact AATC.

AATC