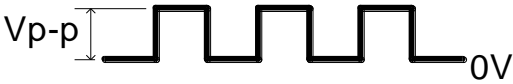


# 1. SPECIFICATION

AC-9J5C2

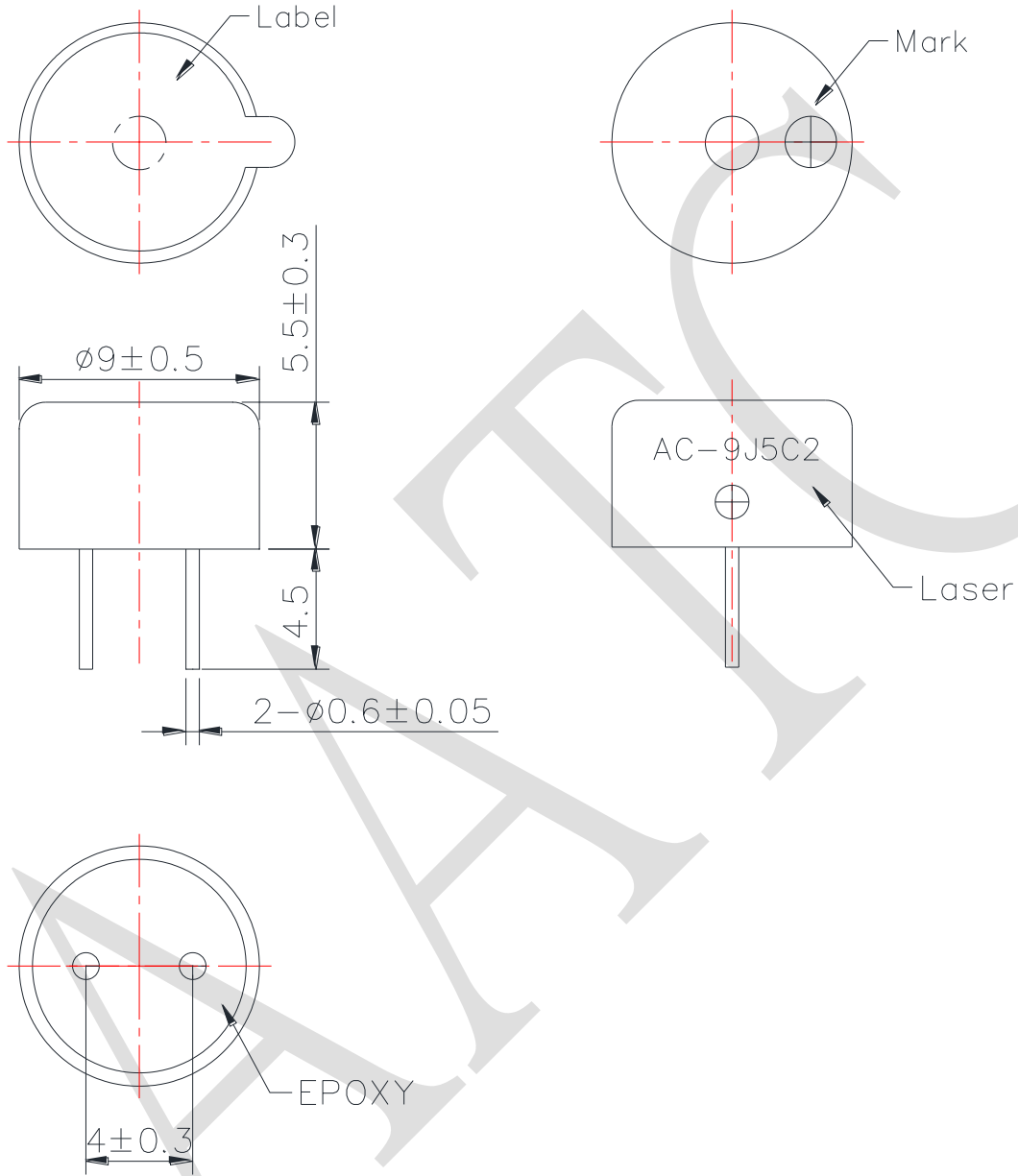
ITEM		UNITS	SPECIFICATIONS	CONDITIONS
01	Rated Voltage	V	5	 <p>Standard state, standard drive circuit. Square wave 1/2 duty.</p>
02	Operating Voltage	V	4 ~ 6	
03	Consumption Current	mA Max.	60	
04	Sound pressure level (Distance at 10cm )	dB(A) Min.	85	Rated voltage, rated frequency.
05	Direct Current Resistance	$\Omega$	$40 \pm 4$	
06	Rated Frequency	Hz	2731	

REV NO.

REVISION NOTE

APPROVAL

DATE



RoHS

TITLE: ELECTRO MAGNETIC BUZZER		DRAWN: <b>Zack</b> 2020/01/20	SCALE: 4:1	SHEET: 1 of 1
PART NO. AC-9J5C2		DESIGNED: R&D OF AAT	UNITS: mm	TOLERANCE $\pm 0.5$
DWG NO. UGCM0905EP4.5D	1	CHECKED:	UNLESS OTHERWISE SPECIFIED:	
	REV	APPROVAL:	ONE PLACE DECIMAL $\pm$ ***	
		MATERIAL: PBT	TWO PLACE DECIMAL $\pm$ ***	
			THREE PLACE DECIMAL $\pm$ ***	



ADVANCED ACOUSTIC TECHNOLOGY CORPORATION

For more information, please contact AATC.

AATC