

1. SPECIFICATION

AZ-1740E-2P

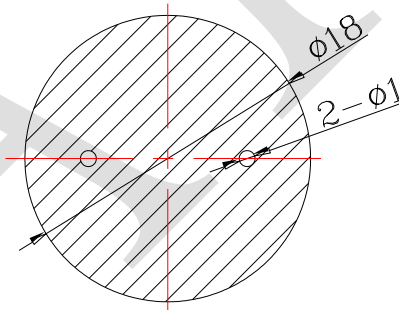
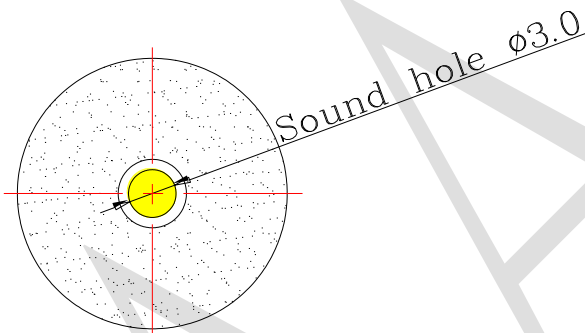
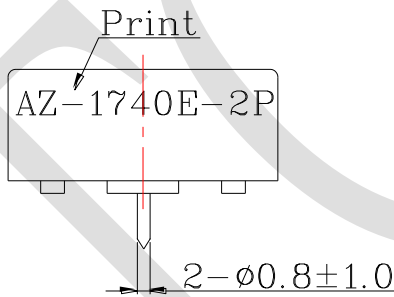
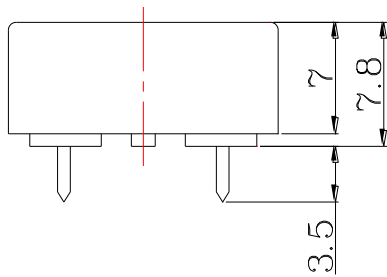
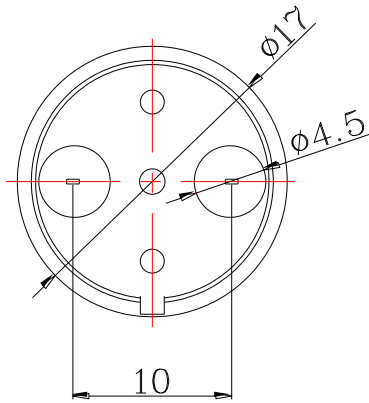
ITEM		UNITS	SPECIFICATIONS	CONDITIONS
01	Rated Voltage	V	5	Vp-p (Square Wave) 1/2 duty
02	Operating Voltage	V	1~ 30	
03	Rated Current	mA(Max)	3	Rated Voltage
04	Sound pressure level (Distance at 10cm)	dBA(Min)	80	Rated Voltage Rated Frequency
05	Rated Frequency	Hz	4000± 500	Rated Voltage

REV NO.

REVISION NOTE

APPROVAL

DATE



RECOMMENDED PCB LAYOUT

RoHS

TITLE: <i>PIEZO BUZZER</i>		DRAWN: Zack	2015/04/20	SCALE: 2:1	SHEET: 1:1
PART NO. <i>AZ-1740E-2P</i>		DESIGNED: <i>R&D OF AAT</i>	UNITS: <i>mm</i>		
DWG NO. <i>AT1740TP1</i>	2 REV	CHECKED:	TOLERANCE ± 0.5		
		APPROVAL:	UNLESS OTHERWISE SPECIFIED: ONE PLACE DECIMAL ± *** TWO PLACE DECIMAL ± *** THREE PLACE DECIMAL ± ***		
		MATERIAL: <i>PBT</i>			



ADVANCED ACOUSTIC TECHNOLOGY CORPORATION

For more information, please contact AATC.

AATC