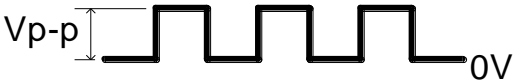
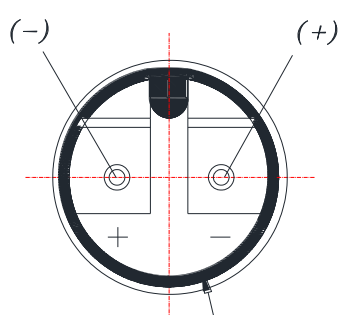


1. SPECIFICATION

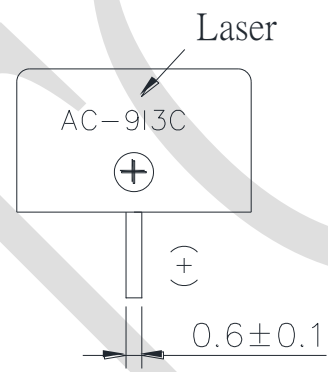
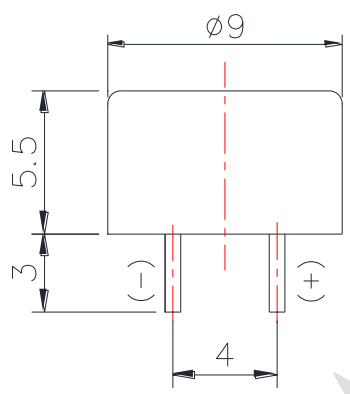
AC-913C

ITEM		UNITS	SPECIFICATIONS	CONDITIONS
01	Rated Voltage	V	3	 <p>Standard state, standard drive circuit. Square wave 1/2 duty.</p>
02	Operating Voltage	V	2 ~ 5	
03	Consumption Current	mA Max.	80	
04	Sound pressure level (Distance at 10cm)	dB(A) Min.	82	Rated voltage, rated frequency.
05	Direct Current Resistance	Ω	15±3	
06	Rated Frequency	Hz	2731	

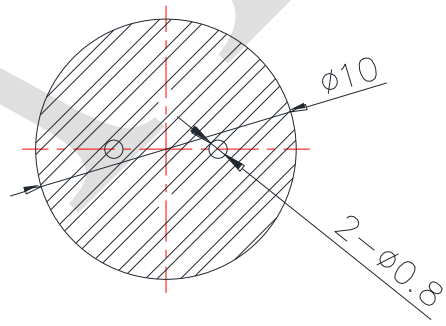
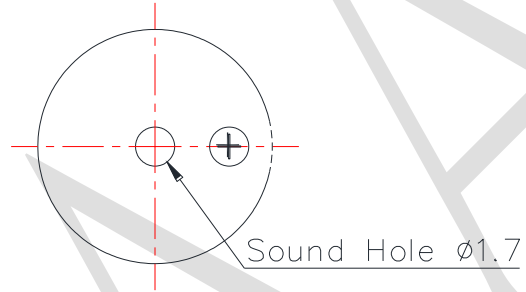
REV NO.	REVISION NOTE	APPROVAL	DATE
---------	---------------	----------	------



EPOXY



RECOMMENDED PCB LAYOUT



防火等級: UL94V0

RoHS

TITLE: ELECTRO MAGNETIC BUZZER		DRAWN: Hank	2020/02/11	SCALE: 4:1	SHEET: 1 of 1
PART NO. AC-913C		DESIGNED: R&D OF AAT		UNITS: mm	
DWG NO. ZDC-090055F03027R15	3 REV	CHECKED:		TOLERANCE ± 0.5	
		APPROVAL:		UNLESS OTHERWISE SPECIFIED:	
		MATERIAL: PBT		ONE PLACE DECIMAL ± ***	
				TWO PLACE DECIMAL ± ***	
				THREE PLACE DECIMAL ± ***	



ADVANCED ACOUSTIC TECHNOLOGY CORPORATION

For more information, please contact AATC.

AATC