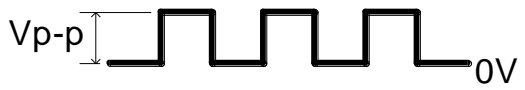


# 1. SPECIFICATION

AP-1205G-P7

ITEM		UNITS	SPECIFICATIONS	CONDITIONS
01	Rated Voltage	V	5.0	
02	Operating Voltage	V	4 ~ 8	
03	Consumption Current	mA (Max)	Mean : 50	Applying rated voltage, rated frequency Square wave, 1/2 duty subject to standard state.
			Peak : 150	
04	Direct Current Resistance	$\Omega$	42±5	
05	Sound pressure level (Distance at 10cm )	dBA (Min)	85	Applying rated voltage, rated frequency Square wave, 1/2 duty subject to standard state.
06	Rated Frequency	Hz	2400	

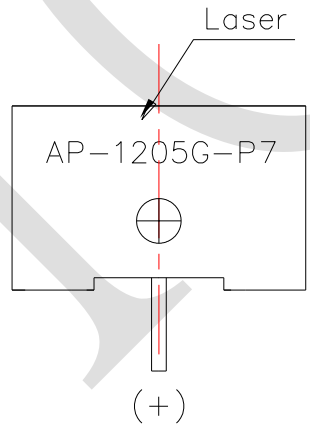
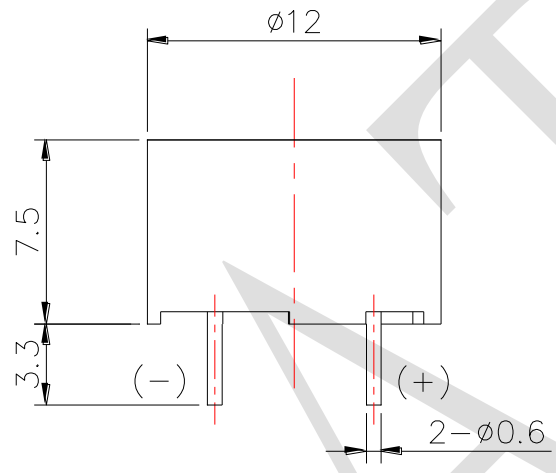
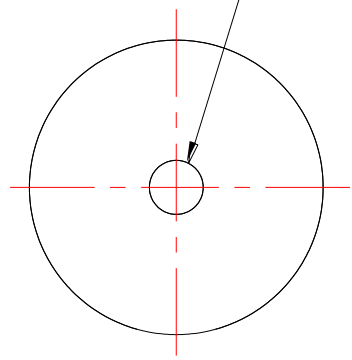
REV NO.

REVISION NOTE

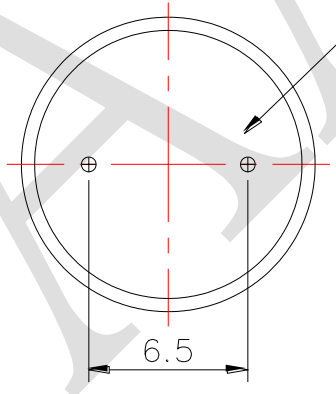
APPROVAL

DATE

Sound Hole  $\phi 2.6$



EPOXY



RoHS

TITLE: FICTILE ELECTRO MAGNETIC BUZZER		DRAWN: <b>Zack</b>	2016/07/06	SCALE: 4:1	SHEET: 1 of 1
PART NO. AP-1205G-P7		DESIGNED: R&D OF AAT	UNITS: mm		
DWG NO. UGCM1205CP3.3B-PBT	2 REV	CHECKED:	TOLERANCE $\pm 0.5$		
		APPROVAL:	UNLESS OTHERWISE SPECIFIED: ONE PLACE DECIMAL $\pm$ *** TWO PLACE DECIMAL $\pm$ *** THREE PLACE DECIMAL $\pm$ ***		
		MATERIAL: PBT			



ADVANCED ACOUSTIC TECHNOLOGY CORPORATION

For more information, please contact AATC.

AATC