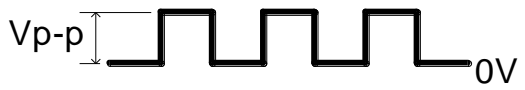
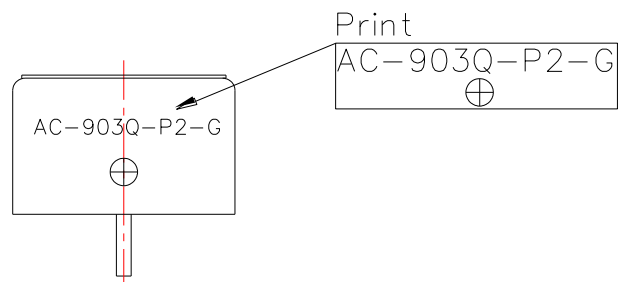


1. SPECIFICATION

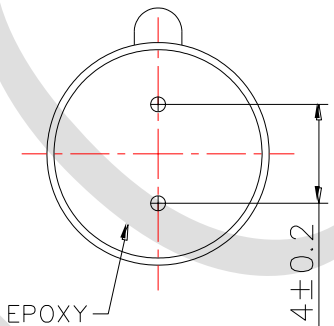
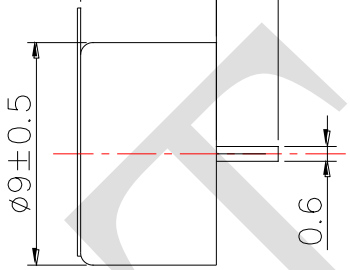
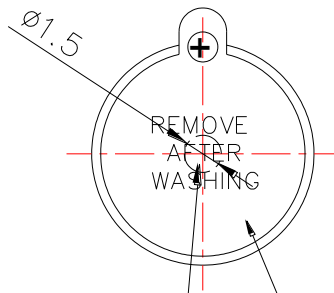
AC-903Q-P2-LF

ITEM		UNITS	SPECIFICATIONS	CONDITIONS
01	Rated Voltage	V	3.0	
02	Operating Voltage	V	2 ~ 6	
03	Consumption Current	mA (Max)	Mean : 80	Applying rated voltage, rated frequency Square wave, 1/2 duty subject to standard state.
			Peak : 240	
04	Direct Current Resistance	Ω	15±2	
05	Sound pressure level (Distance at 10cm)	dBA (Min)	85	Applying rated voltage, rated frequency Square wave, 1/2 duty subject to standard state.
06	Rated Frequency	Hz	2731	

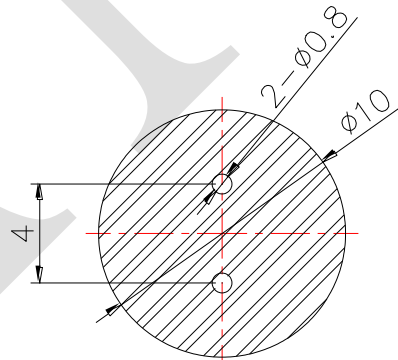
REV NO.	REVISION NOTE	APPROVAL	DATE
---------	---------------	----------	------



5.5±0.2 2.5±0.5



Sound hole MASKING LABEL



PCB LAYOUT

RoHS

TITLE: ELECTRO MAGNETIC BUZZER		DRAWN: Zack	2014/08/15	SCALE: 4:1	SHEET: 1 of 1
PART NO. AC-903Q-P2-LF		DESIGNED: R&D OF AAT		UNITS: mm	
DWG NO. JST-931APL-2-P	1 REV	CHECKED:		TOLERANCE ± 0.5	
		APPROVAL:		UNLESS OTHERWISE SPECIFIED:	
		MATERIAL: PBT		ONE PLACE DECIMAL ± ***	
				TWO PLACE DECIMAL ± ***	
				THREE PLACE DECIMAL ± ***	



ADVANCED ACOUSTIC TECHNOLOGY CORPORATION

For more information, please contact AATC.

AATC