

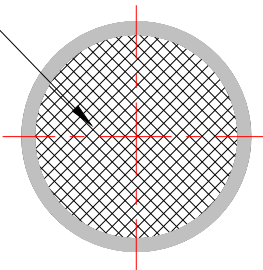
## 1. SPECIFICATIONS

AMB-O40J40-CWH7-IP67

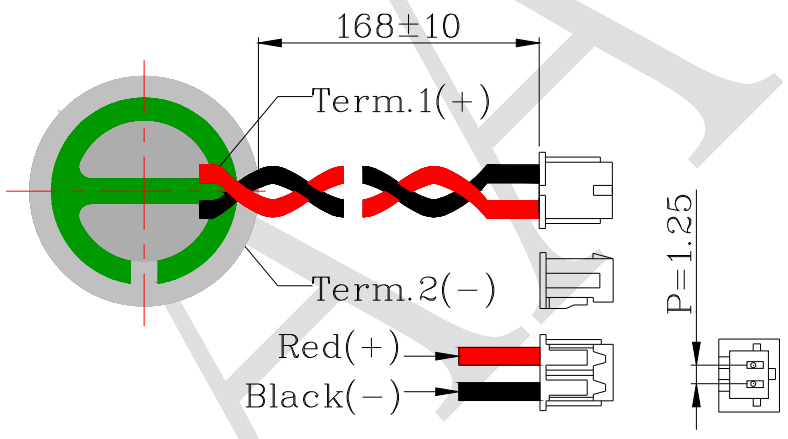
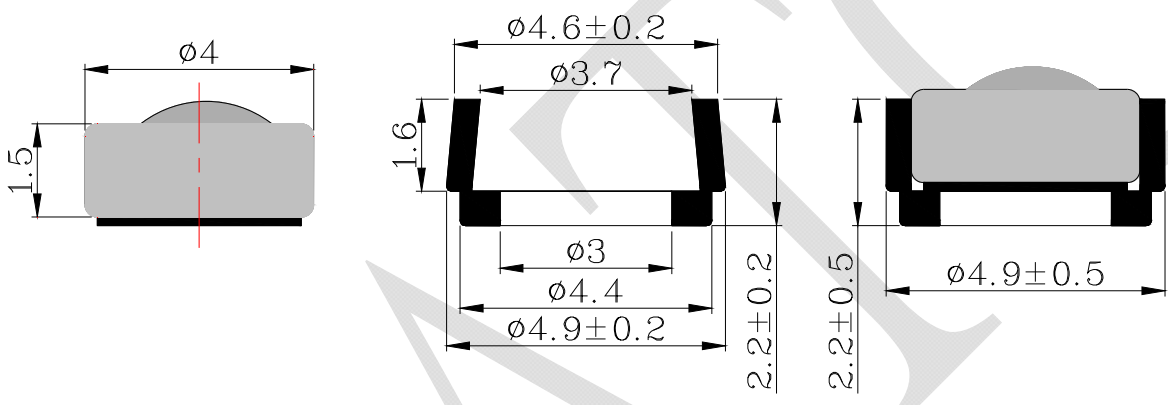
01	Electret's Type	Back type	
02	Sensitivity	-40±3dB (0dB=1V/Pa,1KHz)	
03	Standard Operation Voltage	2.0 V	
04	Output Impedance	2.2 KΩ	
05	Directivity	Omni directional	
06	Frequency Range	100 - 20K Hz	
07	Max. Operation Voltage	10V	
08	Current Consumption	Max.0.5mA	
09	Sensitivity Reduction	Within -3dB 0dB=1V/Pa,1KHz Vs=2.0to 1.5V	
10	S/N Ratio	≥58dB	
11	Operating Temperature	-20~+60°C	
12	Storage Temperature	-25~+70°C	
13	Dustproof Standards	IP6X	Totally protected against dust.
	Waterproof Standards	IPX7	Protected against the effects of immersion between 15cm and 1M.

REV NO.	REVISION NOTE	APPROVAL	DATE
---------	---------------	----------	------

Waterproof (White, IP67)



Wires: UL3302, 32#AWG (耐? 105℃);  
 Connector: Equivalent to Molex: 51021-0200  
 Holder: DD-EQ-JTA49-07



RoHS

TITLE: MICROPHONE		DRAWN: Jerry	2013/10/02	SCALE: 5:1	SHEET: 1 of 1
PART NO. AMB-040J40-CWH7-IP67	2	DESIGNED: R & D OF AAT	UNITS: mm		
DWG NO. B4015AL-SFN-D170-M 10257		CHECKED:	TOLERANCE ± 0.3		
	REV	APPROVAL:	UNLESS OTHERWISE SPECIFIED: ONE PLACE DECIMAL ± *** TWO PLACE DECIMAL ± *** THREE PLACE DECIMAL ± ***		
		MATERIAL: *****			



ADVANCED ACOUSTIC TECHNOLOGY CORPORATION

For more information, please contact AATC.

AATC