
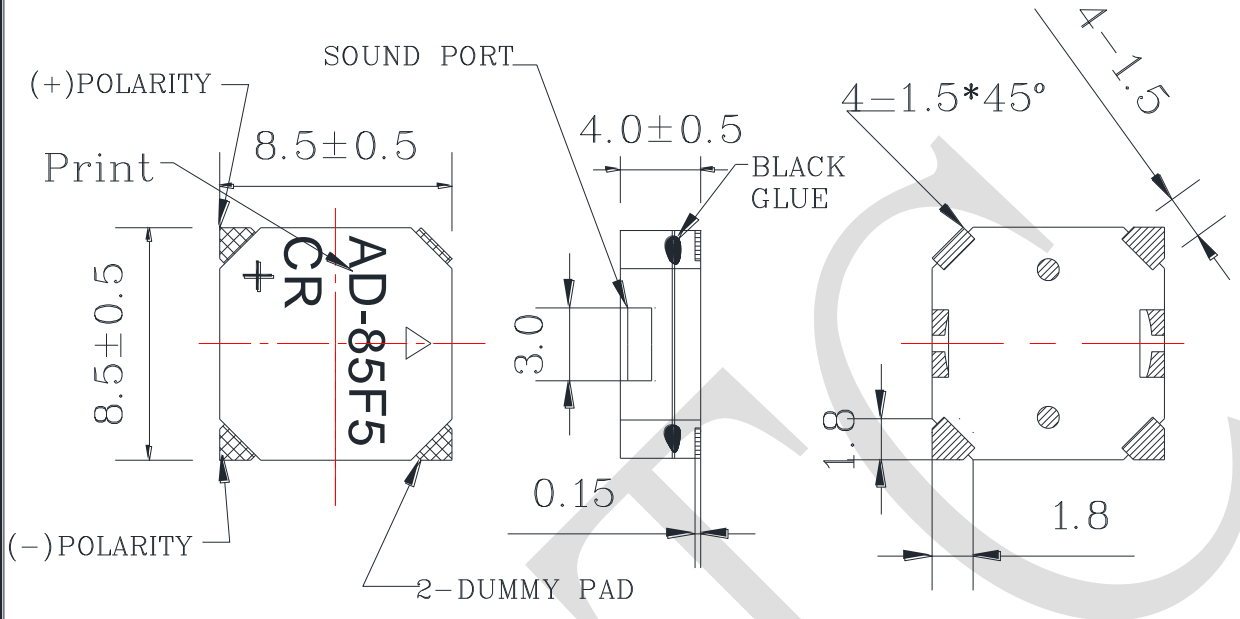


1. SPECIFICATION

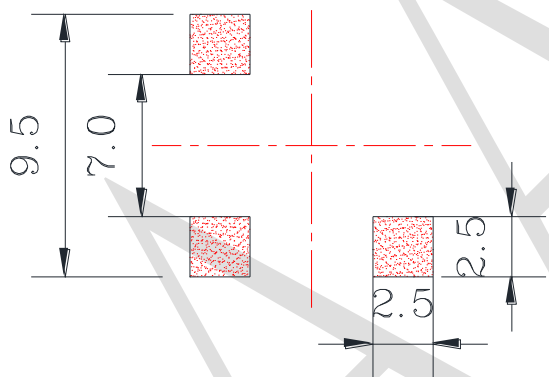
AD-85F5CR

ITEM		UNITS	SPECIFICATIONS	CONDITIONS
01	Rated Voltage	V	5.0	
02	Operating Voltage	V	4 ~ 7	
03	Consumption Current	mA Max.	100	Standard state, standard drive circuit. Square wave 1/2 duty.
04	Sound pressure level (Distance at 10cm)	dB(A) Min.	85	Rated voltage, rated frequency.
05	Direct Current Resistance	Ω	32±5	
06	Rated Frequency	Hz	2730	

REV NO.	REVISION NOTE	APPROVAL	DATE
---------	---------------	----------	------



RECOMMENDED P.C.B LAYOUT



RoHS

TITLE: SOUND TRANSDUCER (SMD)		DRAWN: Hank	2020-03-02	SCALE: 1:1	SHEET: 1 : 1
PART NO. AD-85F5CR		DESIGNED: R & D OF AAT		UNITS: mm	TOLERANCE ± 0.5
DWG NO. SMD-085040H-05027R32		CHECKED:		UNLESS OTHERWISE SPECIFIED:	
REV 1		APPROVAL:		ONE PLACE DECIMAL \pm ***	
		MATERIAL: LCP		TWO PLACE DECIMAL \pm ***	
				THREE PLACE DECIMAL \pm ***	



ADVANCED ACOUSTIC TECHNOLOGY CORPORATION

For more information, please contact AATC.

AATC