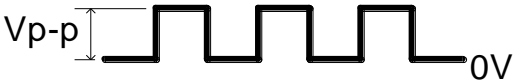
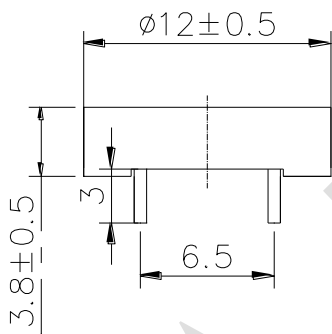
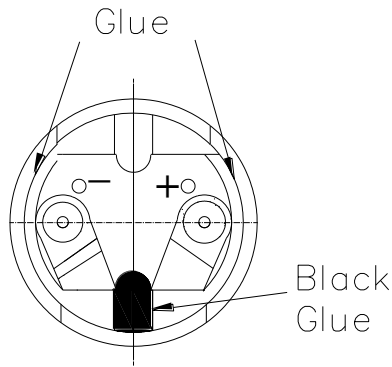


1. SPECIFICATION

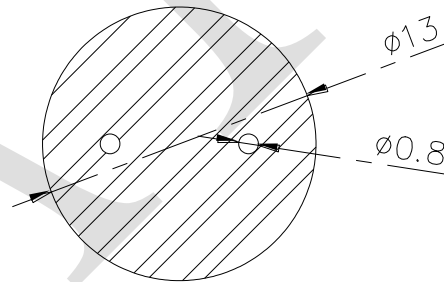
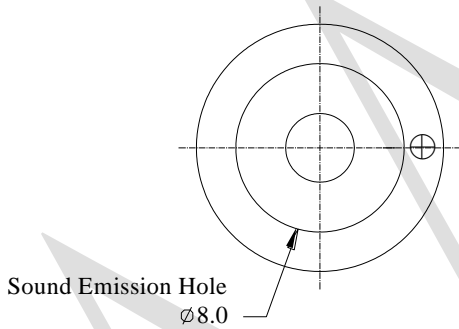
AC-E12F3A

ITEM		UNITS	SPECIFICATIONS	CONDITIONS
01	Rated Voltage	V	3	 <p>Standard state, standard drive circuit. Square wave 1/2 duty.</p>
02	Operating Voltage	V	2 ~ 4	
03	Consumption Current	mA Max.	90	
04	Sound pressure level (Distance at 10cm)	dB(A) Min.	80	Rated voltage, rated frequency.
05	Direct Current Resistance	Ω	15 \pm 2	
06	Rated Frequency	Hz	2048	

REV NO.	REVISION NOTE	APPROVAL	DATE
---------	---------------	----------	------



Recommended PCB Layout



RoHS

TITLE: ELECTRO MAGNETIC BUZZER		DRAWN: Zack	2019/06/24	SCALE: 4:1	SHEET: 1 of 1
PART NO. AC-E12F3A		DESIGNED: R&D OF AAT	UNITS: mm		
DWG NO. JM12383B15-P		CHECKED:	TOLERANCE ± 0.5		
		APPROVAL:	UNLESS OTHERWISE SPECIFIED: ONE PLACE DECIMAL \pm *** TWO PLACE DECIMAL \pm *** THREE PLACE DECIMAL \pm ***		
1 REV		MATERIAL: PPO			



ADVANCED ACOUSTIC TECHNOLOGY CORPORATION

For more information, please contact AATC.

AATC