
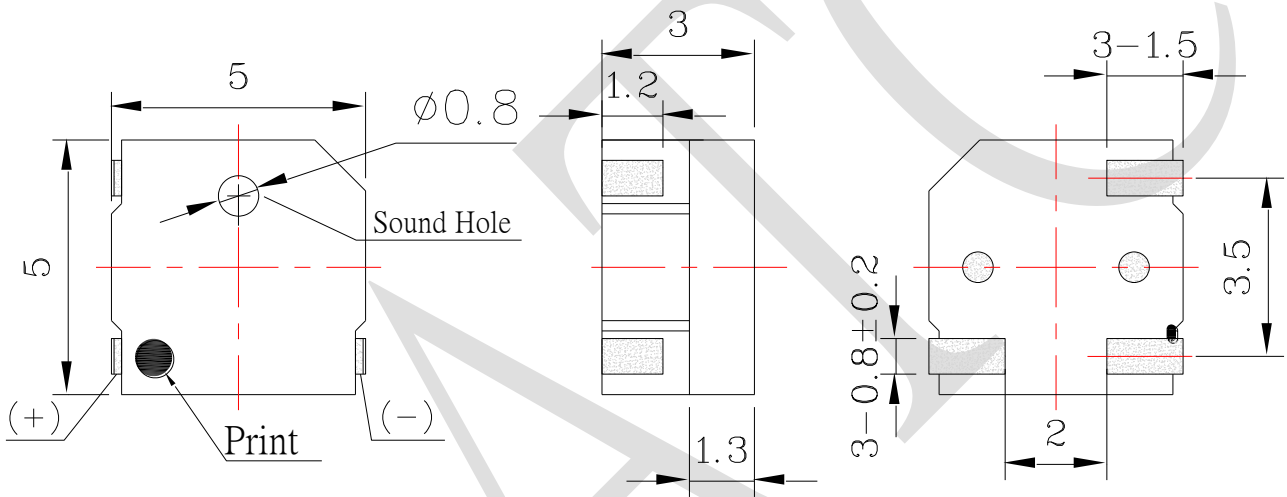


# 1. SPECIFICATION

AD-503-Q

ITEM		UNITS	SPECIFICATIONS	CONDITIONS
01	Rated Voltage	V	3	
02	Operating Voltage	V	2 ~ 4	
03	Consumption Current	mA (Max)	Mean : 110	Applying rated voltage, rated frequency Square wave, 1/2 duty subject to standard state.
			Peak : 330	
04	Direct Current Resistance	$\Omega$	12 $\pm$ 3	
05	Sound Output (Distance at 10cm )	dBA (Min)	70	Applying rated voltage, rated frequency Square wave, 1/2 duty subject to standard state.
06	Rated Frequency	Hz	1200	
07	Frequency range		800~1600	

REV NO.	REVISION NOTE	APPROVAL	DATE
---------	---------------	----------	------



RoHS

TITLE: SOUND TRANSDUCER (SMD)		DRAWN: Zack	2012/04/19	SCALE: 1:1	SHEET: 1 : 1
PART NO. AD-503-Q		DESIGNED: R & D OF AAT	UNITS: mm		
DWG NO. SND-050030F-03012N		CHECKED:	TOLERANCE $\pm 0.5$		
		APPROVAL:	UNLESS OTHERWISE SPECIFIED:		
REV 1	MATERIAL: LCP	ONE PLACE DECIMAL $\pm$ ***			
		TWO PLACE DECIMAL $\pm$ ***			
		THREE PLACE DECIMAL $\pm$ ***			



**苙翔科技股份有限公司**  
 ADVANCED ACOUSTIC TECHNOLOGY CORPORATION

For more information, please contact AATC.

AATC