
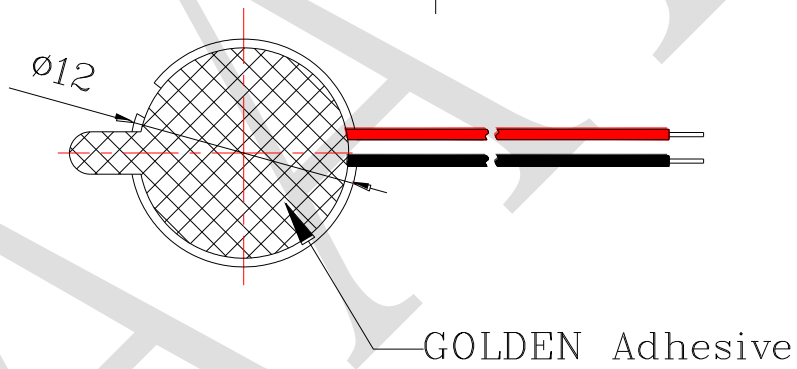
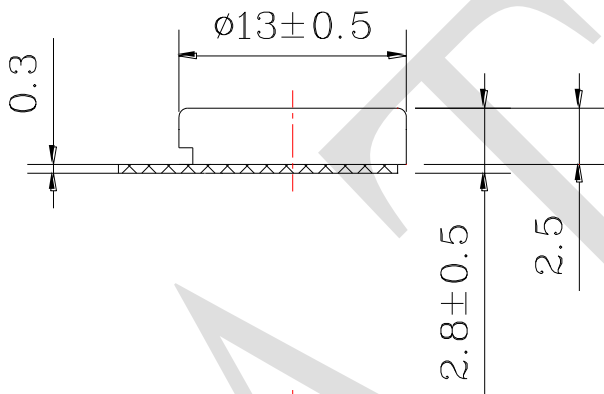
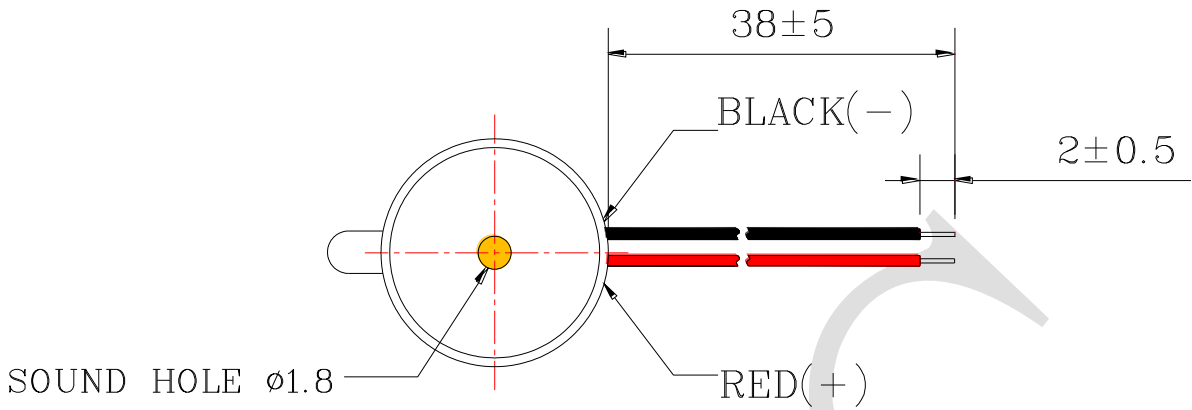


1. SPECIFICATION

AZ-1348E-6WV

ITEM		UNITS	SPECIFICATIONS	CONDITIONS
01	Rated Voltage	V	10	 <p>Square wave 1/2 duty.</p>
02	Operating Voltage	V	1 ~25	
03	Consumption Current	mA (Max)	5	
04	Sound pressure level (Distance at 10cm)	dB(A) (Min)	80	Rated voltage, rated frequency.
05	Capacitance	pF	14000±30%	At 120KHz
06	Rated Frequency	Hz	4800	

REV NO.	REVISION NOTE	APPROVAL	DATE
---------	---------------	----------	------



Wire: UL 1571.AWG32#

RoHS

TITLE: <i>PIEZO BUZZER</i>		DRAWN: <i>Moose</i> 2019-02-26	SCALE: 2:1	SHEET: 1:1
PART NO. <i>AZ-1348E-6WV</i>		DESIGNED: <i>R&D OF AAT</i>	UNITS: <i>mm</i>	
DWG NO. <i>*****</i>		CHECKED:	TOLERANCE ± 0.3	
		APPROVAL:	UNLESS OTHERWISE SPECIFIED: ONE PLACE DECIMAL \pm *** TWO PLACE DECIMAL \pm *** THREE PLACE DECIMAL \pm ***	
REV	1	MATERIAL: <i>ABS</i>		



ADVANCED ACOUSTIC TECHNOLOGY CORPORATION

For more information, please contact AATC.

AATC