

1. SPECIFICATIONS

AMF-O60C44-NBH-LF

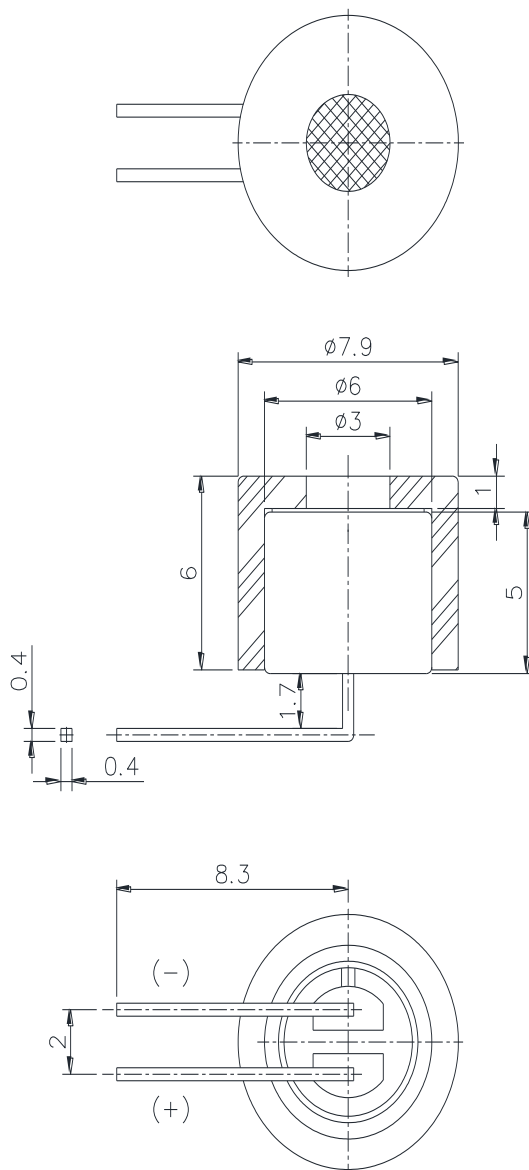
01	Electret Type	Foil type
02	Sensitivity	-44±3dB (0dB=1V/Pa,1KHz)Band form 300 to 3K Hz
03	Standard Operation Voltage	2.0V
04	Output Impedance (Max)	2.2KΩ
05	Directivity	Omnidirectional
06	Frequency Range	70 - 20K Hz
07	Max. Operation Voltage	10V
08	Current Consumption	Max.0.5mA
09	Sensitivity Reduction	Within -3dB 0dB=1V/Pa,1KHz Vs=2.0 to 1.5V
10	S/N Ratio	> 58dB

REV NO.

REVISION NOTE

APPROVAL

DATE



MIC. : ø6 * 5 mm .

HOLDER : HLM-JT-068 .

TITLE: MICROPHONE		DRAWN: <i>JCHN</i> 03/06/2007	SCALE: 4:1	SHEET: 1 of 1
PART NO. AMF-060C44-NBH-LF	1	DESIGNED: R & D OF AAT	UNITS: mm	
DWG NO. DTM-1308		CHECKED:	TOLERANCE ± 0.2	
	REV	APPROVAL:	UNLESS OTHERWISE SPECIFIED:	
		MATERIAL: *****	ONE PLACE DECIMAL ± ***	
			TWO PLACE DECIMAL ± **	
			THREE PLACE DECIMAL ± ***	



ADVANCED ACOUSTIC TECHNOLOGY CORPORATION

For more information, please contact AATC.