

1. SPECIFICATION

AI-12M12B

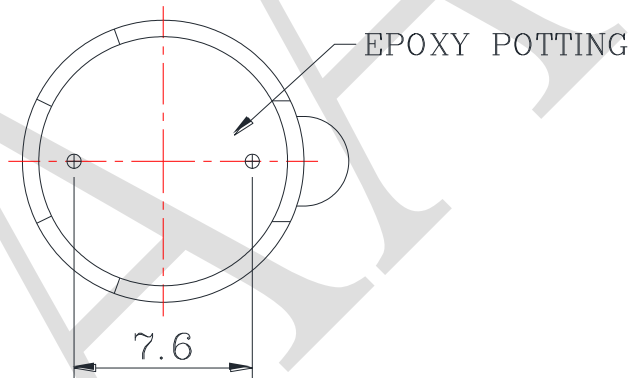
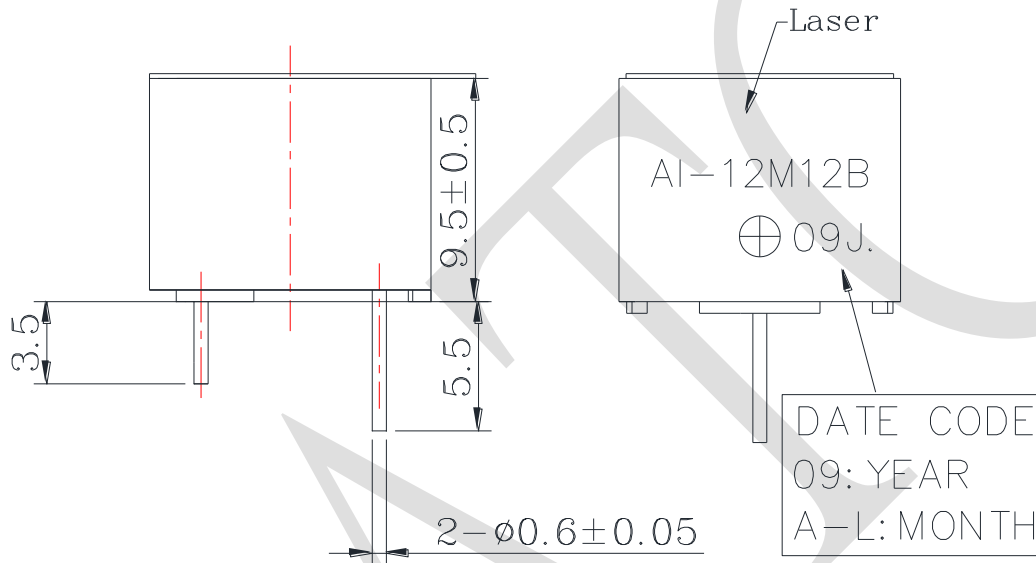
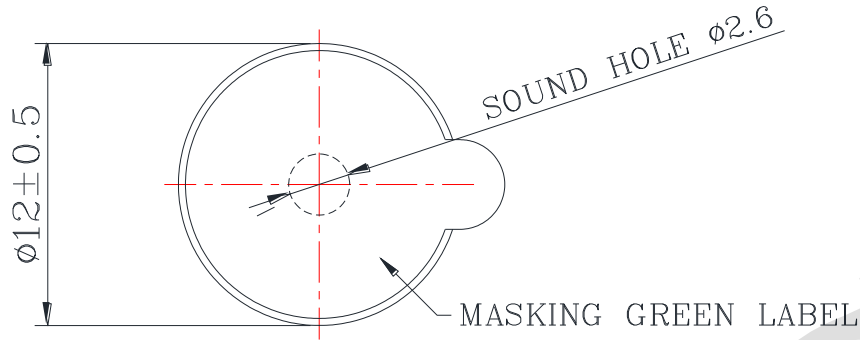
ITEM		UNITS	SPECIFICATIONS	CONDITIONS
01	Rated Voltage	V	12	
02	Operating Voltage	V	8 ~ 16	
03	Consumption Current	mA (Max)	35	Rated Voltage
04	Resonant Frequency	Hz	2300± 300	Rated Voltage
05	Response times	ms	≥ 100	
06	Sound pressure level	dB(A) Min.	85	Distance at 10cm Rated Voltage / Resonant Frequency

REV NO.

REVISION NOTE

APPROVAL

DATE



RoHS

TITLE: ELECTRO MAGNETIC BUZZER		DRAWN: Hank	2019/12/03	SCALE: 4:1	SHEET: 1 of 1
PART NO. AI-12M12B		DESIGNED: R&D OF AAT		UNITS: mm	
DWG NO. UGCM1212XP5.5-3.5IC-01	1 REV	CHECKED:		TOLERANCE ± 0.5	
		APPROVAL:		UNLESS OTHERWISE SPECIFIED:	
		MATERIAL: PBT		ONE PLACE DECIMAL ± ***	
				TWO PLACE DECIMAL ± ***	
				THREE PLACE DECIMAL ± ***	



ADVANCED ACOUSTIC TECHNOLOGY CORPORATION

For more information, please contact AATC.

AATC