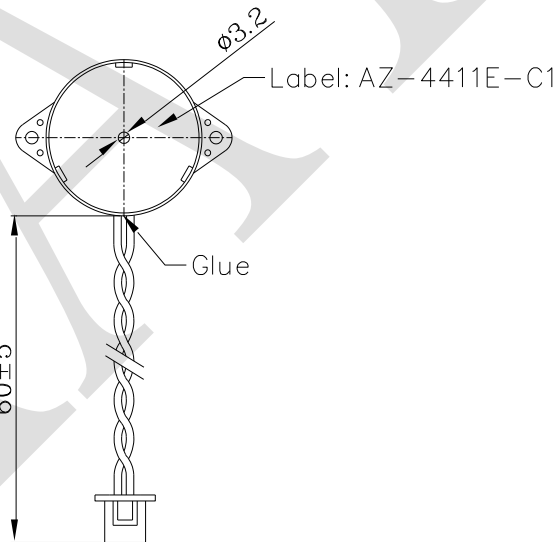
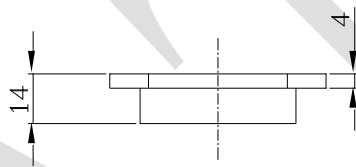
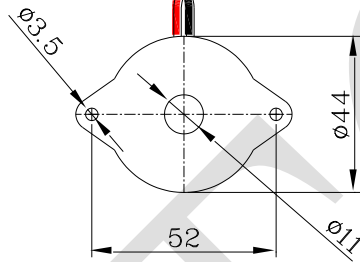
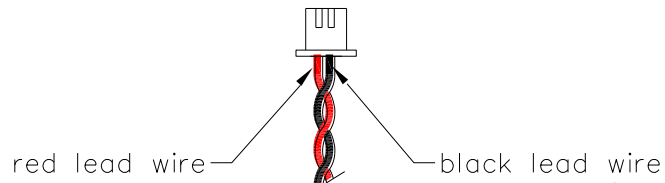


## 1. SPECIFICATION

AZ-4411E-C1 (RoHS)

ITEM		UNITS	SPECIFICATIONS	CONDITIONS
01	Rated Voltage	V	10	Vp-p (Square Wave) 1/2 duty
02	Operating Voltage	V	3~ 30	
03	Rated Current	mA(Max)	11	Rated Voltage
04	Sound Output (Distance at 10cm )	dBA(Min)	85	Rated Voltage Rated Frequency
05	Resonant Frequency	Hz	1100± 300	Rated Voltage
06	Capacitance	pF	77000±30%	At 120Hz

REV NO.	REVISION NOTE	APPROVAL	DATE
---------	---------------	----------	------



NOTES:

1. WIRE SPEC. UL1095 AWG28
  2. TERMINAL SPEC. A2501TOP-2 XH2.5
- HOUSING : A2501H02-2P XH2.5

RoHS

TITLE: PIEZO BUZZER		DRAWN: Jason	2011/01/12	SCALE: 1:2	SHEET: 1 of 1
PART NO. AZ-4411E-C1		DESIGNED: R & D OF AAT		UNITS: mm	
DWG NO. HS-110112		CHECKED:		TOLERANCE ± 0.5	
REV 1		APPROVAL:		UNLESS OTHERWISE SPECIFIED:	
		MATERIAL: ABS		ONE PLACE DECIMAL ± ***	
				TWO PLACE DECIMAL ± ***	
				THREE PLACE DECIMAL ± ***	



苙翔科技股份有限公司  
ADVANCED ACOUSTIC TECHNOLOGY CORPORATION

For more information, please contact AATC.

AATC