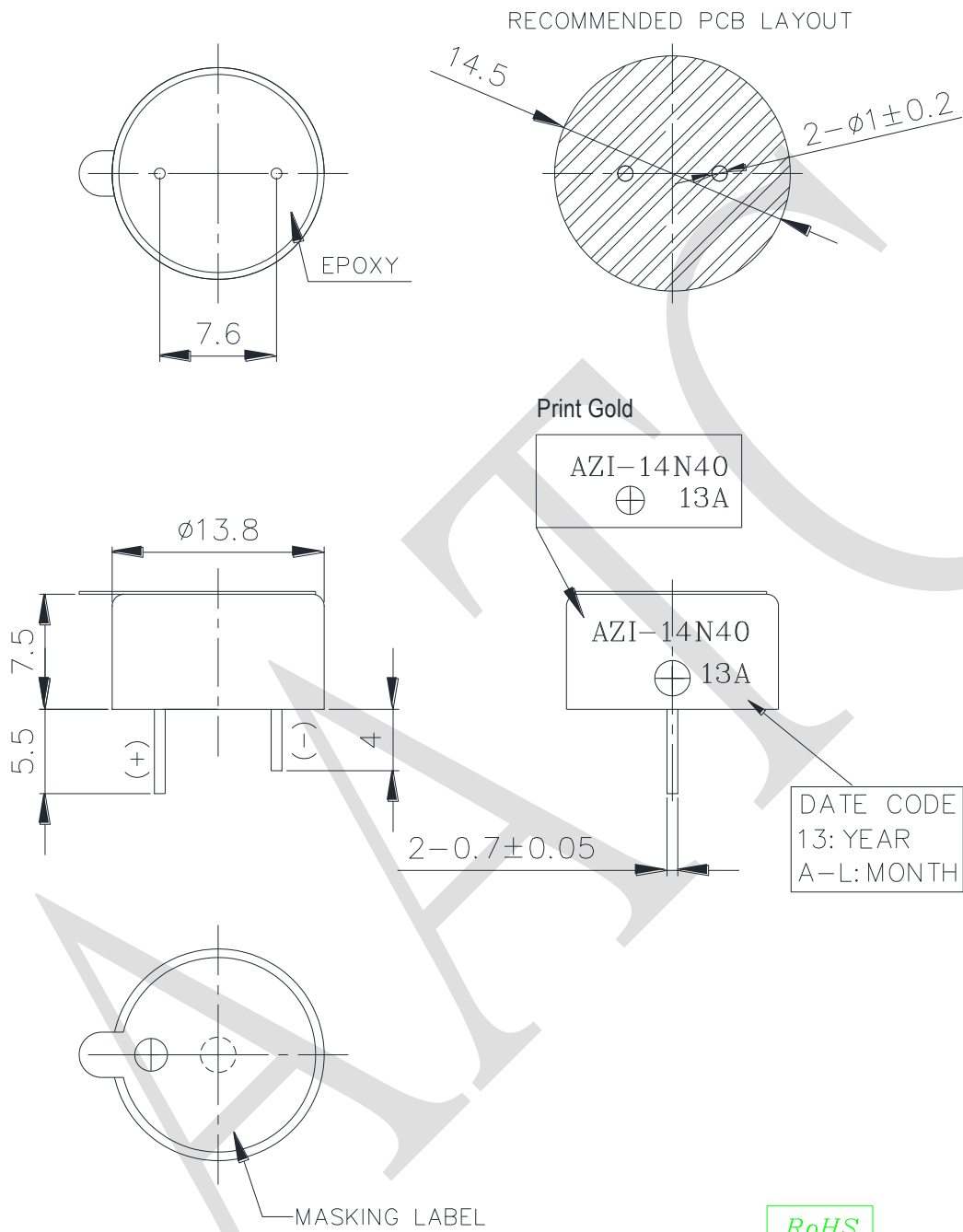


1. SPECIFICATION

AZI-14N40

ITEM		UNITS	SPECIFICATIONS	CONDITIONS
01	Rated Voltage	V	12	
02	Operating Voltage	V	3.5 ~ 16	
03	Consumption Current	mA (Max)	7	Rated Voltage
04	Resonant Frequency	Hz	4000± 300	Rated Voltage
05	Response times	ms	≥ 100	
06	Sound pressure level	dB(A) Min.	80	Distance at 10cm Rated Voltage / Resonant Frequency

REV NO.	REVISION NOTE	APPROVAL	DATE
---------	---------------	----------	------



TITLE: <i>PIEZO BUZZER</i>		DRAWN: Zack 2020/03/25	SCALE: 2:1	SHEET: 1 of 1
PART NO. AZI-14N40		DESIGNED: R & D OF AAT	UNITS: mm	
DWG NO. UGPM14A5X4012P		CHECKED:	TOLERANCE ± 0.5	
		APPROVAL:	FIRST ANGLE PROJECTION	
REV 1	MATERIAL: MPP0			



ADVANCED ACOUSTIC TECHNOLOGY CORPORATION