


# 1. SPECIFICATION

AC-1203D-1P

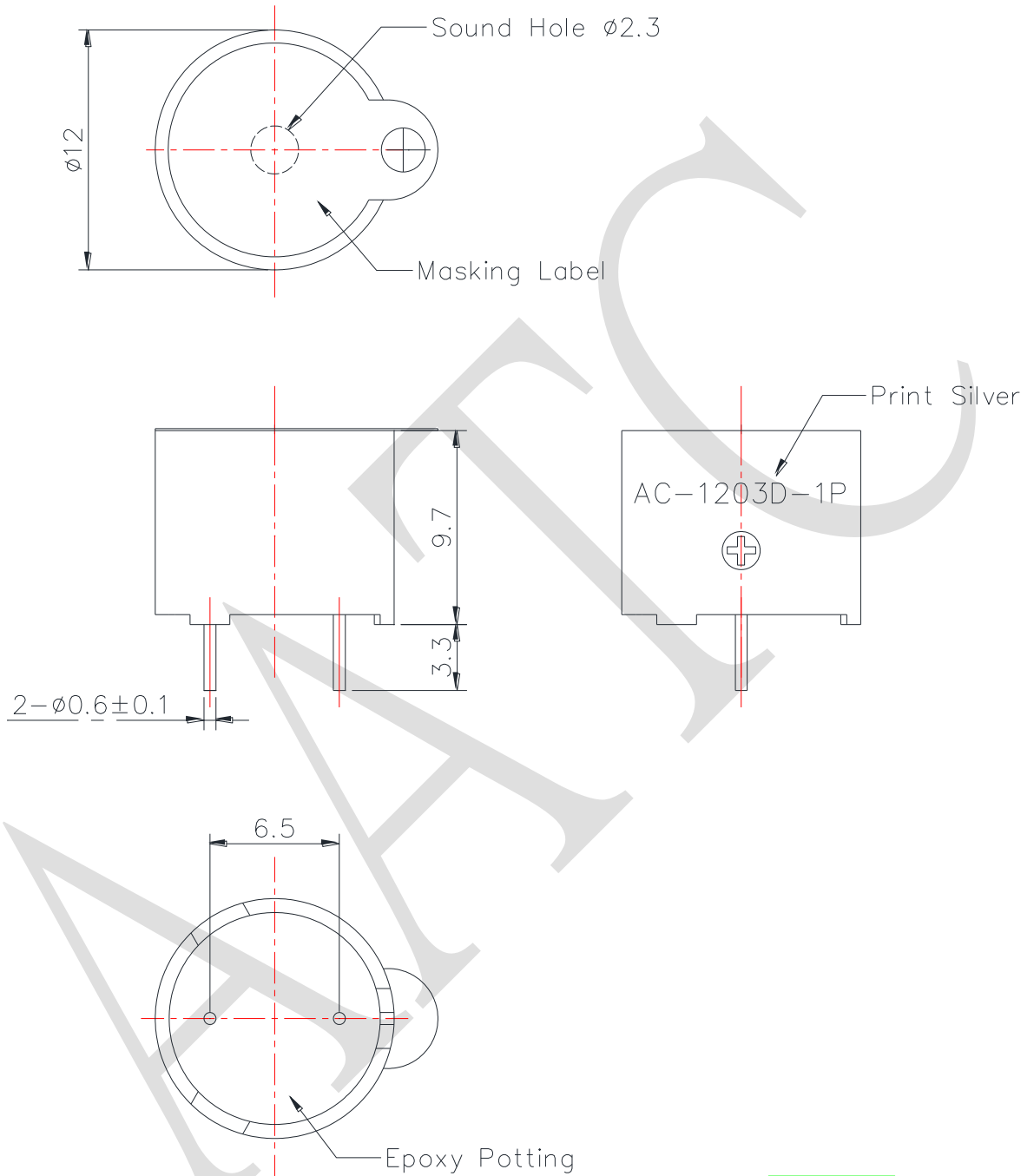
ITEM		UNITS	SPECIFICATIONS	CONDITIONS
01	Rated Voltage	V	3.0	
02	Operating Voltage	V	1.5 ~ 5.0	
03	Consumption Current	mA (Max)	Mean : 30	Standard state, standard drive circuit. Rated voltage, rated frequency, Square wave 1/2 duty.
			Peak : 90	
04	Sound pressure level (Distance at 10cm )	dB(A) (Min)	80	
05	Direct Current Resistance	$\Omega$	$45 \pm 6.8$	
06	Rated Frequency	Hz	2000	

REV NO.

REVISION NOTE

APPROVAL

DATE



RoHS

TITLE: ELECTRO MAGNETIC BUZZER		DRAWN: Sunny	2015-4-13	SCALE: 4:1	SHEET: 1 of 1
PART NO. AC-1203D-1P		DESIGNED: R&D OF AAT		UNITS: mm	
DWG NO. JM12973B45		CHECKED:		TOLERANCE $\pm 0.5$	
		APPROVAL:		UNLESS OTHERWISE SPECIFIED:	
REV 1		MATERIAL: PBT		ONE PLACE DECIMAL $\pm$ ***	
				TWO PLACE DECIMAL $\pm$ ***	
				THREE PLACE DECIMAL $\pm$ ***	



ADVANCED ACOUSTIC TECHNOLOGY CORPORATION

For more information, please contact AATC.

AATC