
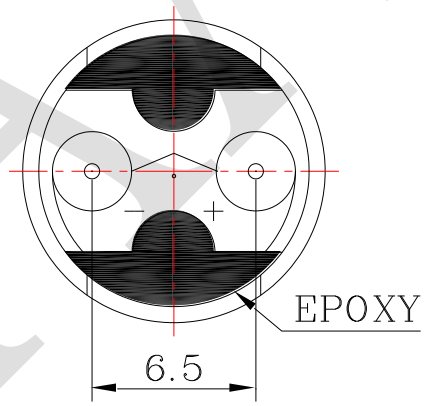
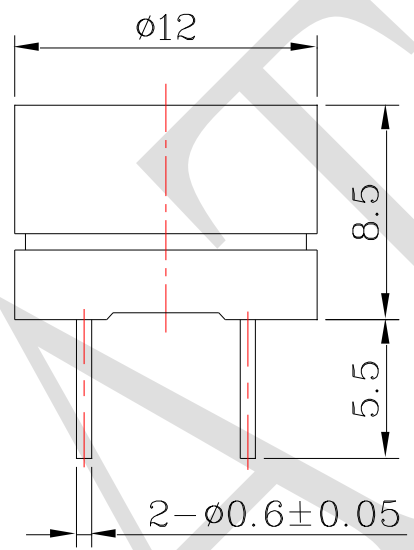
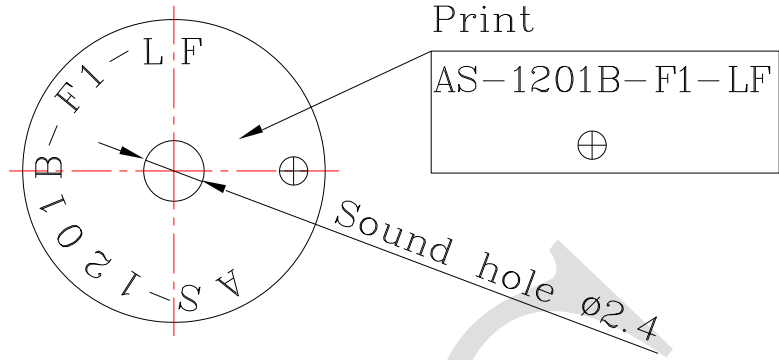


# 1. SPECIFICATION

AS-1201B-F1-LF

ITEM		UNITS	SPECIFICATIONS	CONDITIONS
01	Rated Voltage	V	1.5	
02	Operating Voltage	V	1 ~ 3	
03	Consumption Current	mA (Max)	Mean : 15	Applying rated voltage, rated frequency Square wave, 1/2 duty subject to standard state.
			Peak : 45	
04	Direct Current Resistance	$\Omega$	$42 \pm 6$	
05	Sound pressure level (Distance at 10cm )	dBA (Min)	85	Applying rated voltage, rated frequency Square wave, 1/2 duty subject to standard state.
06	Rated Frequency	Hz	4096	

REV NO.	REVISION NOTE	APPROVAL	DATE
---------	---------------	----------	------



RoHS

TITLE: ELECTRO MAGNETIC BUZZER		DRAWN: <b>Zack</b>	2012/10/01	SCALE: 4:1	SHEET: 1 of 1
PART NO. AS-1201B-F1-LF		DESIGNED: R&D OF AAT	UNITS: mm		
DWG NO. UGC12G-2PF		CHECKED:	TOLERANCE ± 0.5		
		APPROVAL:	UNLESS OTHERWISE SPECIFIED: ONE PLACE DECIMAL ± *** TWO PLACE DECIMAL ± *** THREE PLACE DECIMAL ± ***		
REV	MATERIAL: NORYL				



ADVANCED ACOUSTIC TECHNOLOGY CORPORATION

For more information, please contact AATC.

AATC