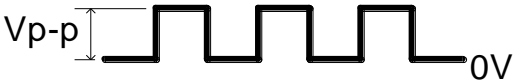


1. SPECIFICATION

AC-1001N-RPB-LF

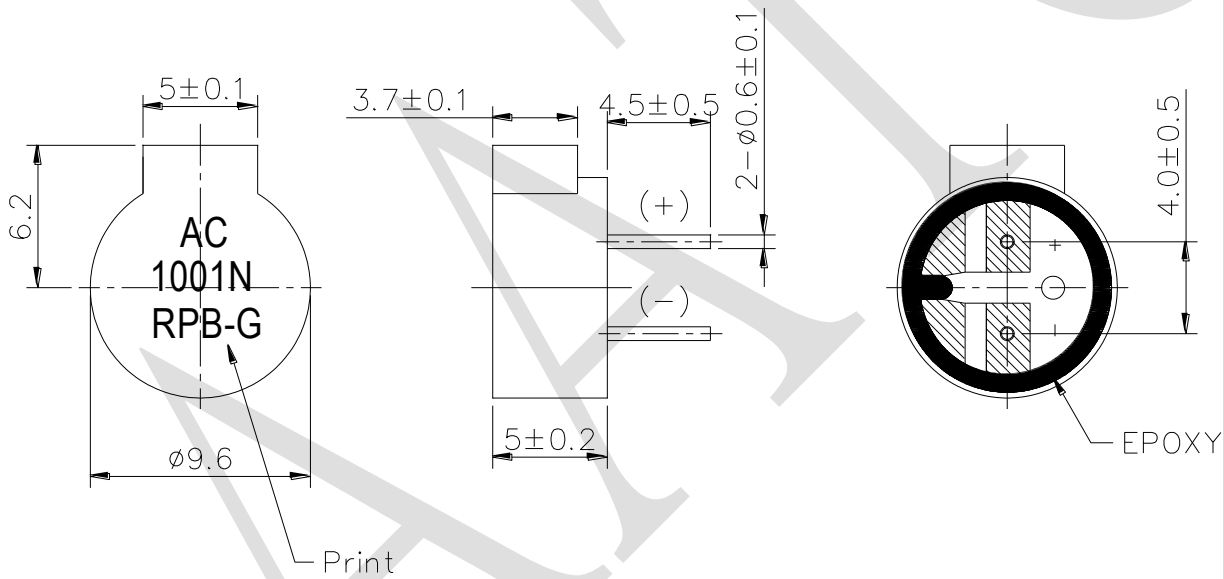
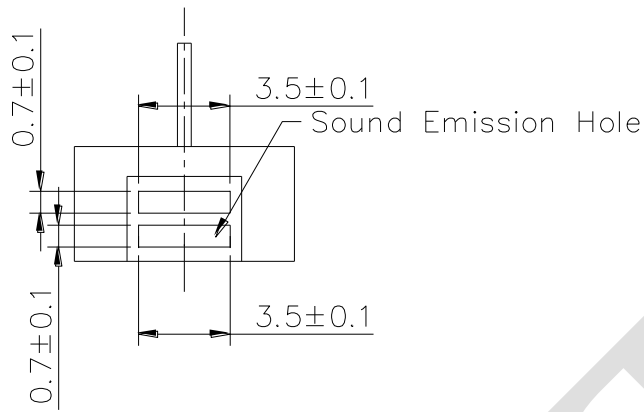
ITEM		UNITS	SPECIFICATIONS	CONDITIONS
01	Rated Voltage	V	1.5	
02	Operating Voltage	V	1 ~ 3	
03	Consumption Current	mA Max.	80	Standard state, standard drive circuit. Square wave 1/2 duty.
04	Sound pressure level (Distance at 10cm)	dB(A) Min.	88	Rated voltage, rated frequency.
05	Direct Current Resistance	Ω	5.5 ± 1.0	
06	Rated Frequency	Hz	2730	

REV NO.

REVISION NOTE

APPROVAL

DATE



RoHS

TITLE: ELECTRO MAGNETIC BUZZER		DRAWN: Zack	2017/05/25	SCALE: 4:1	SHEET: 1 of 1
PART NO. AC-1001N-RPB-LF		DESIGNED: R&D OF AAT	UNITS: mm		
DWG NO. SHQ1001QL		CHECKED:	TOLERANCE ± 0.5		
		APPROVAL:	UNLESS OTHERWISE SPECIFIED:		
		MATERIAL: NORYL	ONE PLACE DECIMAL ± ***		
3		TWO PLACE DECIMAL ± ***			
REV		THREE PLACE DECIMAL ± ***			



ADVANCED ACOUSTIC TECHNOLOGY CORPORATION

For more information, please contact AATC.

AATC