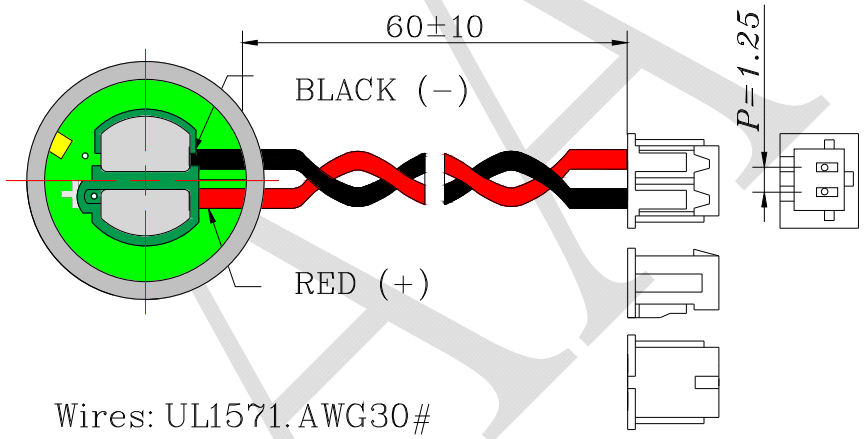
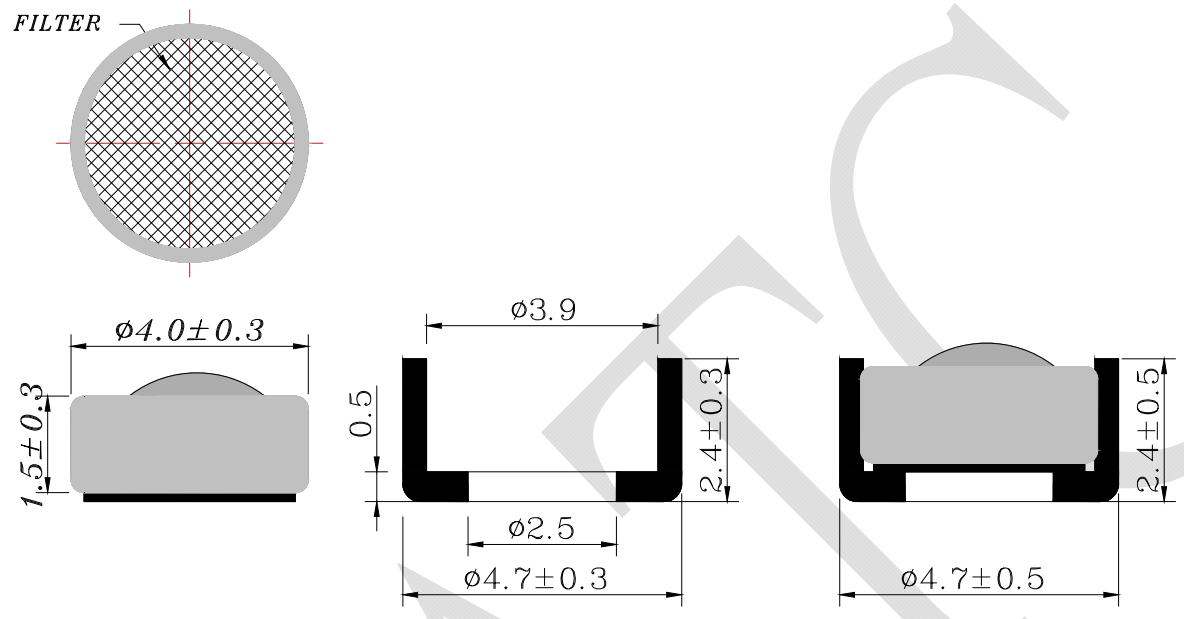


1. SPECIFICATIONS

AMB-O40J40-2CWH1

01	Electret's Type	Foil type
02	Sensitivity	-40±3dB (0dB=1V/Pa,1KHz)
03	Standard Operation Voltage	2.0 V
04	Output Impedance	2.2 KΩ
05	Directivity	Omni directional
06	Frequency Range	100 - 10K Hz
07	Max. Operation Voltage	10V
08	Current Consumption	Max.0.5mA
09	Sensitivity Reduction	Within -3dB 0dB=1V/Pa,1KHz Vs=2.0to 1.5V
10	S/N Ratio	≥58dB
11	Sound Pressure Level	110 dB
12	Operating Temperature	-20~+60°C
13	Storage Temperature	-25~+70°C

REV NO.	REVISION NOTE	APPROVAL	DATE
---------	---------------	----------	------



Wires: UL1571.AWG30#
 Connector: Equivalent to Molex 51021-0200
 Holder: DD-EQ-JTA47-04

RoHS

TITLE: MICROPHONE		DRAWN: <i>Moose</i> 2019-02-12	SCALE: 5:1	SHEET: 1 of 1
PART NO. AMB-040J40-2CWH1	1	DESIGNED: R & D OF AAT	UNITS: mm	
DWG NO. T4015AL-SMN-D63-M 11992		CHECKED:	TOLERANCE ± 0.3	
	REV	APPROVAL:	UNLESS OTHERWISE SPECIFIED:	
		MATERIAL: AL	ONE PLACE DECIMAL ± ***	
			TWO PLACE DECIMAL ± ***	
			THREE PLACE DECIMAL ± ***	



ADVANCED ACOUSTIC TECHNOLOGY CORPORATION

For more information, please contact AATC.

AATC