
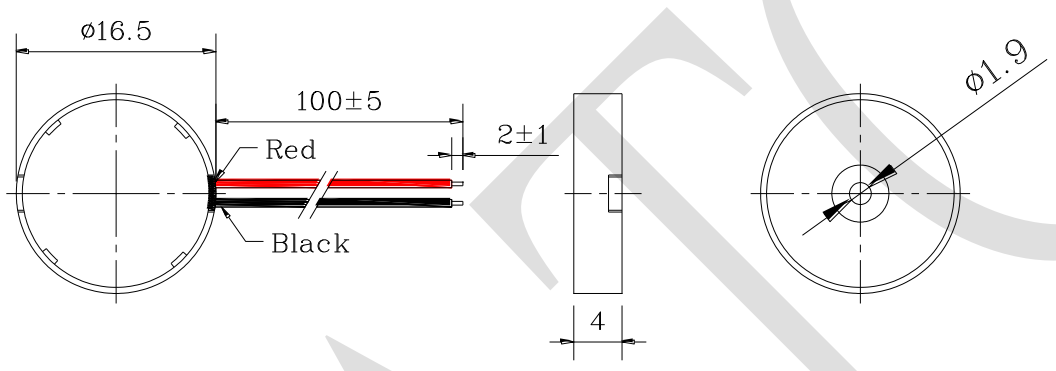


1. SPECIFICATION

AZ-1640E-W

ITEM		UNITS	SPECIFICATIONS	CONDITIONS
01	Rated Voltage	V	9	 Square wave 1/2 duty.
02	Operating Voltage	V	1 ~ 30	
03	Consumption Current	mA (Max)	2	
04	Sound pressure level (Distance at 10cm)	dB(A) (Min)	80	Rated voltage, rated frequency.
05	Capacitance	pF	15000±30%	At 120Hz
06	Rated Frequency	Hz	4000±300	

REV NO.	REVISION NOTE	APPROVAL	DATE
---------	---------------	----------	------



WIRE: UL1571, AWG30#

RoHS

TITLE: <i>PIEZO BUZZER</i>		DRAWN: Zak	2019/10/02	SCALE: 2:1	SHEET: 1:1
PART NO. <i>AZ-1640E-W</i>		DESIGNED: <i>R&D OF AAT</i>	UNITS: <i>mm</i>		
DWG NO. <i>UGPA17A4009W100-1</i>	3 REV	CHECKED:	TOLERANCE ± 0.3		
		APPROVAL:	UNLESS OTHERWISE SPECIFIED:		
		MATERIAL: <i>MPP0</i>	ONE PLACE DECIMAL \pm ***		
			TWO PLACE DECIMAL \pm ***		
			THREE PLACE DECIMAL \pm ***		



ADVANCED ACOUSTIC TECHNOLOGY CORPORATION

For more information, please contact AATC.

AATC