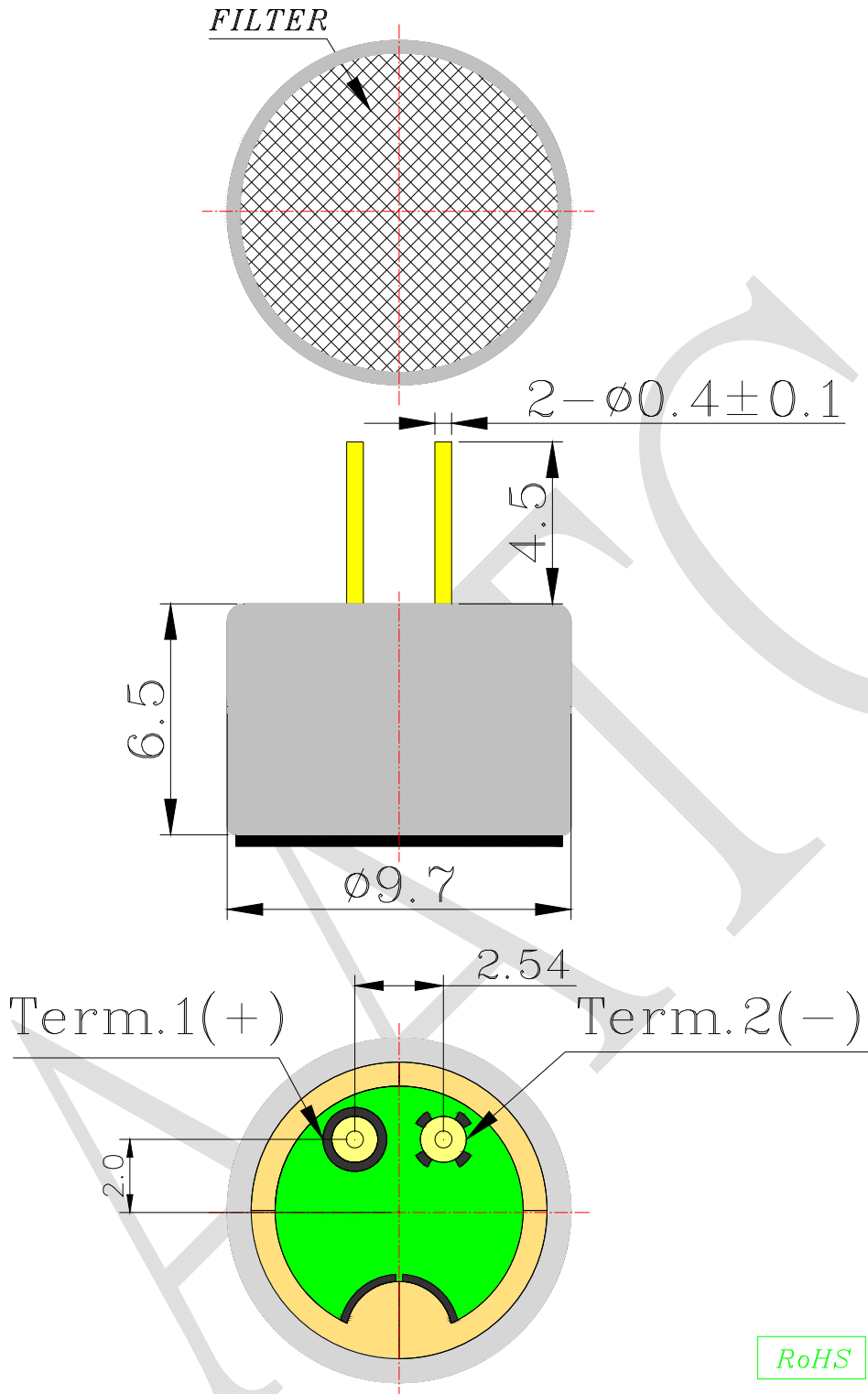


## 1. SPECIFICATIONS

AMF-O97A42-CB

01	Electret's Type	Foil type
02	Sensitivity	-42±3dB (0dB=1V/Pa,1KHz)
03	Standard Operation Voltage	2.0 V
04	Output Impedance	2.2 KΩ
05	Directivity	Omni directional
06	Frequency Range	100 - 20K Hz
07	Max. Operation Voltage	10V
08	Current Consumption	Max.0.5mA
09	Sensitivity Reduction	Within -3dB 0dB=1V/Pa,1KHz Vs=2.0to 1.5V
10	S/N Ratio	≥58dB
11	Sound Pressure Level	110 dB

REV NO.	REVISION NOTE	APPROVAL	DATE
---------	---------------	----------	------



RoHS

TITLE: MICROPHONE		DRAWN: Zack	2016/05/19	SCALE: 5:1	SHEET: 1 of 1
PART NO. AMF-097A42-CB		DESIGNED: R & D OF AAT		UNITS: mm	
DWG NO. F9765AP-SN 9462		CHECKED:		TOLERANCE $\pm 0.3$	
		APPROVAL:		UNLESS OTHERWISE SPECIFIED:	
REV: 2		MATERIAL: AL		ONE PLACE DECIMAL $\pm$ ***	
				TWO PLACE DECIMAL $\pm$ ***	
				THREE PLACE DECIMAL $\pm$ ***	



ADVANCED ACOUSTIC TECHNOLOGY CORPORATION

For more information, please contact AATC.

AATC