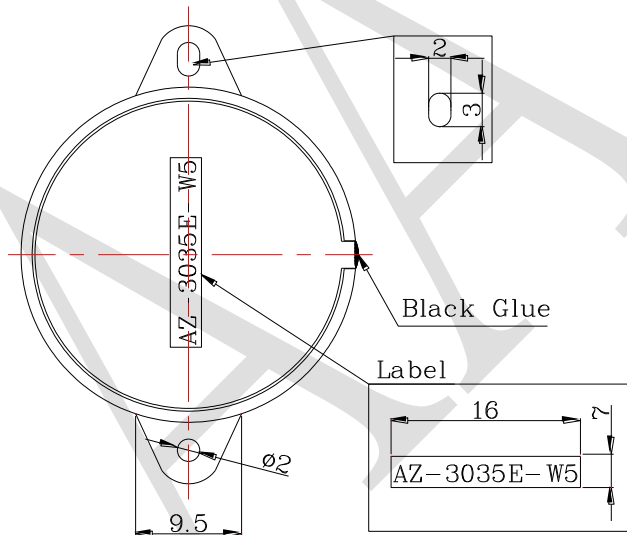
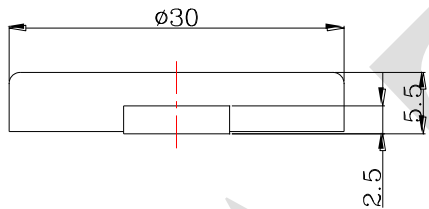
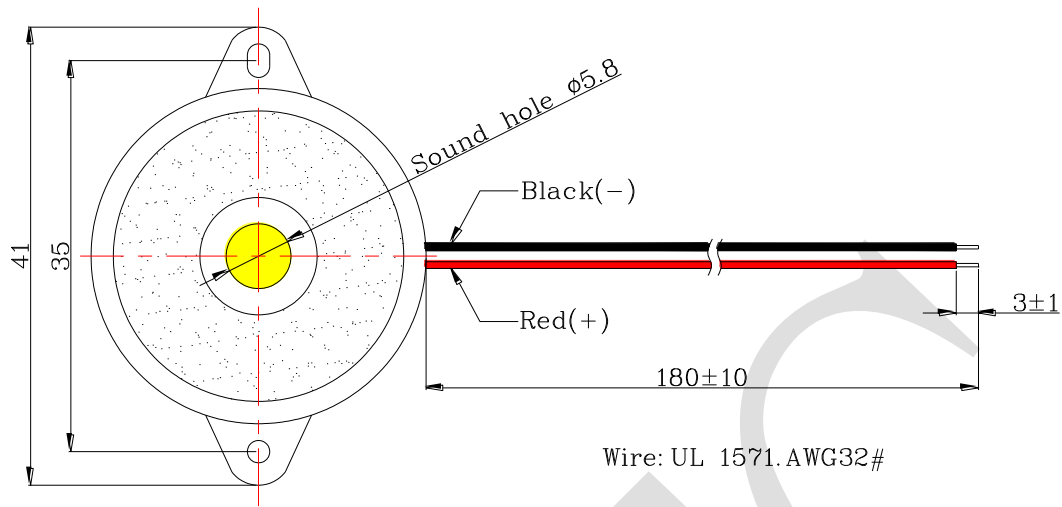


## 1. SPECIFICATION

AZ-3035E-W5

ITEM		UNITS	SPECIFICATIONS	CONDITIONS
01	Rated Voltage	V	9	Vp-p (Square Wave) 1/2 duty
02	Operating Voltage	V	1~ 30	
03	Rated Current	mA(Max)	3	Rated Voltage
04	Sound pressure level (Distance at 10cm )	dBA(Min)	88	Rated Voltage Rated Frequency
05	Resonant Frequency	Hz	3500± 300	Rated Voltage
06	Capacitance	pF	20000±30%	At 120Hz

REV NO.	REVISION NOTE	APPROVAL	DATE
---------	---------------	----------	------



RoHS

TITLE: <i>PIEZO BUZZER</i>		DRAWN: <b>Zack</b>	2015/03/31	SCALE: 2:1	SHEET: 1:1
PART NO. <i>AZ-3035E-W5</i>		DESIGNED: <i>R&amp;D OF AAT</i>		UNITS: <i>mm</i>	TOLERANCE $\pm 0.5$
DWG NO. <i>UGPA30F3509W180</i>		CHECKED:		UNLESS OTHERWISE SPECIFIED:	
		APPROVAL:		ONE PLACE DECIMAL $\pm$ ***	
2	REV	MATERIAL: <i>ABS</i>		TWO PLACE DECIMAL $\pm$ ***	
				THREE PLACE DECIMAL $\pm$ ***	



**ADVANCED ACOUSTIC TECHNOLOGY CORPORATION**

For more information, please contact AATC.

AATC