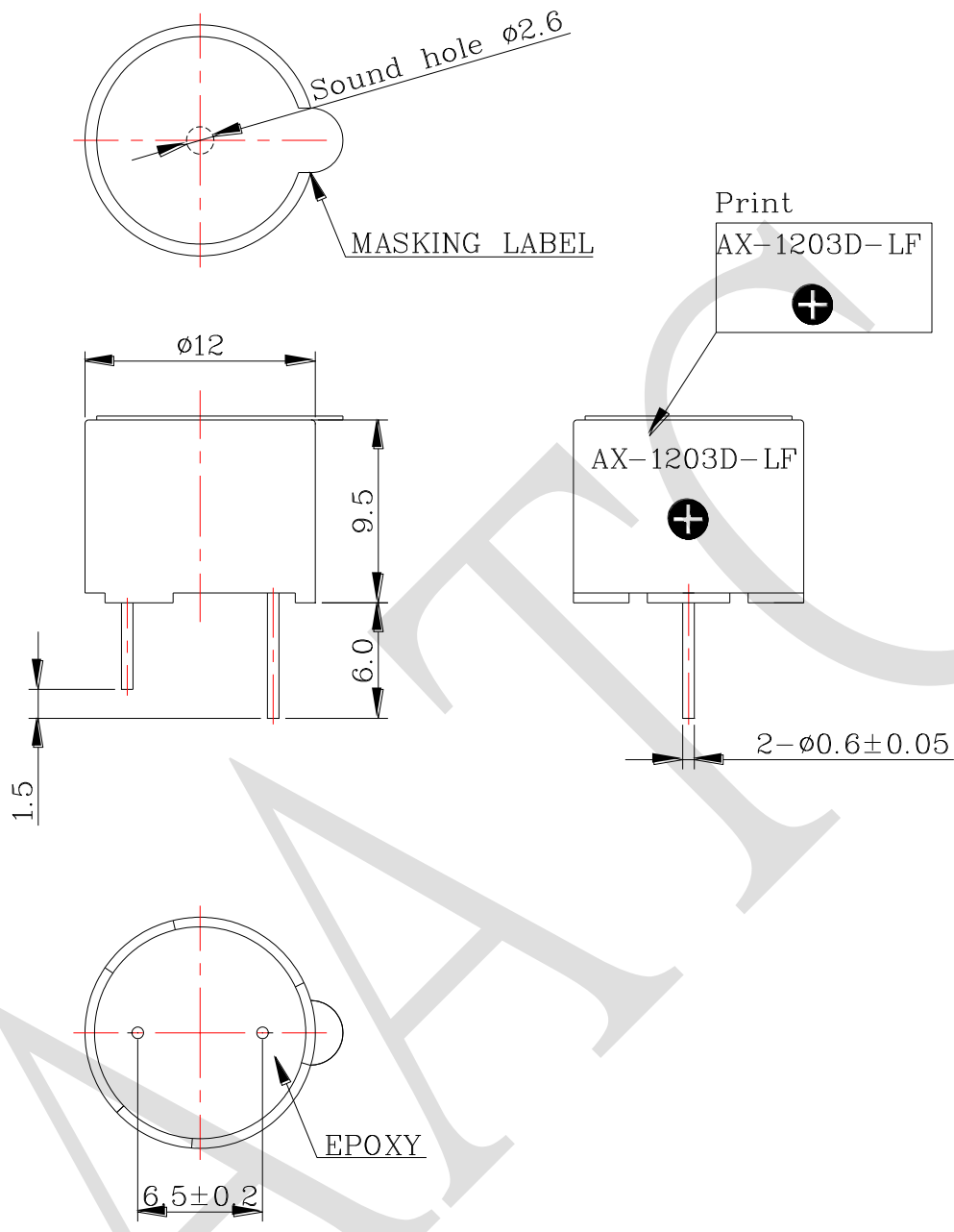


1. SPECIFICATION

AX-1203D-LF

ITEM		UNITS	SPECIFICATIONS	CONDITIONS
01	Rated Voltage	V	3	
02	Operating Voltage	V	2 ~ 5	
03	Consumption Current	mA (Max)	30	Rated Voltage
04	Resonant Frequency	Hz	2300±300	Rated Voltage
05	Response times	ms	≥ 100	
06	Sound pressure level	dB(A) Min.	85	Distance at 10cm Rated Voltage / Resonant Frequency

REV NO.	REVISION NOTE	APPROVAL	DATE
---------	---------------	----------	------



WAVE SOLDER AND WASH ALLOWED

RoHS

TITLE: ELECTRO MAGNETIC BUZZER		DRAWN: Moose 2017/02/09	SCALE: 4:1	SHEET: 1 of 1
PART NO. AX-1203D-LF		DESIGNED: R&D OF AAT	UNITS: mm	
DWC NO. UGCM1203XP-6.5	5 REV	CHECKED:	TOLERANCE ± 0.5	
		APPROVAL:	UNLESS OTHERWISE SPECIFIED:	
		MATERIAL: NORYL	ONE PLACE DECIMAL ± ***	
			TWO PLACE DECIMAL ± ***	
			THREE PLACE DECIMAL ± ***	



ADVANCED ACOUSTIC TECHNOLOGY CORPORATION

For more information, please contact AATC.

AATC