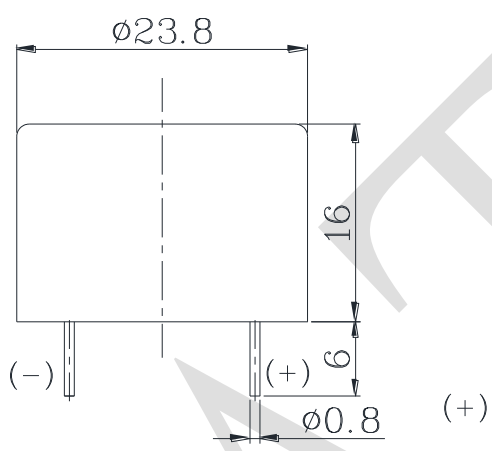
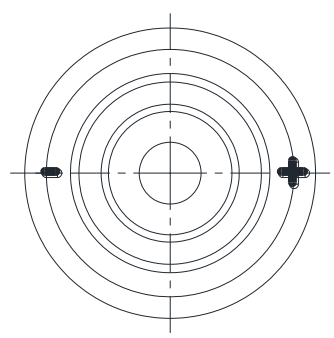


1. SPECIFICATION

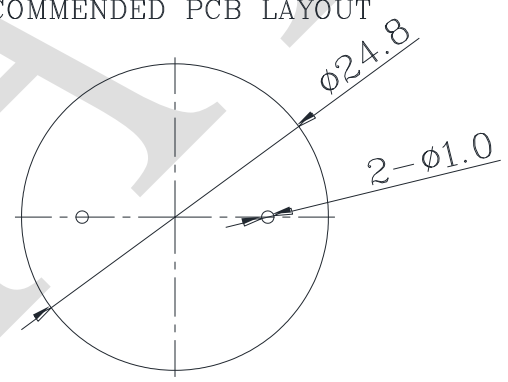
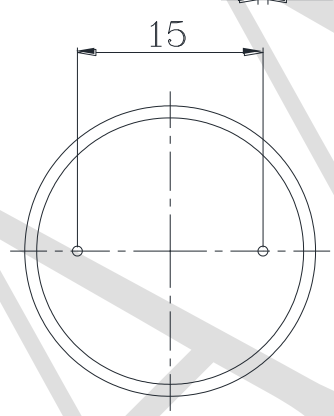
AZ-2434S-PN

ITEM		UNITS	SPECIFICATIONS	CONDITIONS
01	Rated Voltage	V	12	
02	Operating Voltage	V	3 ~ 20	
03	Consumption Current	mA (Max)	8	Rated Voltage
04	Resonant Frequency	Hz	3400 ± 500	Rated Voltage
05	Response times	ms	≥ 100	
06	Sound pressure level	dB(A) Min.	93	Distance at 30 cm Rated Voltage / Resonant Frequency

REV NO.	REVISION NOTE	APPROVAL	DATE
---------	---------------	----------	------



RECOMMENDED PCB LAYOUT



RoHS

TITLE: PIEZO BUZZER		DRAWN: Zack 2020/01/10	SCALE: 2:1	SHEET: 1 of 1
PART NO. AZ-2434S-PN	3	DESIGNED: R & D OF AAT	UNITS: mm	
DWG NO. UGPM24DX3412P-93		CHECKED:	TOLERANCE ± 0.3	
REV		APPROVAL:	UNLESS OTHERWISE SPECIFIED: ONE PLACE DECIMAL ± *** TWO PLACE DECIMAL ± *** THREE PLACE DECIMAL ± ***	
		MATERIAL: NORYL		



ADVANCED ACOUSTIC TECHNOLOGY CORPORATION

For more information, please contact AATC.

AATC