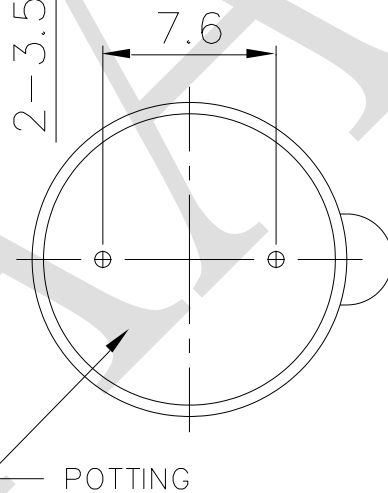
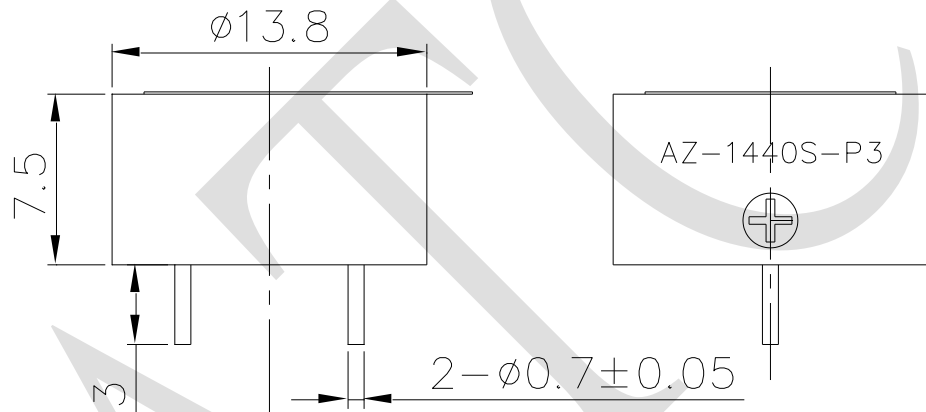
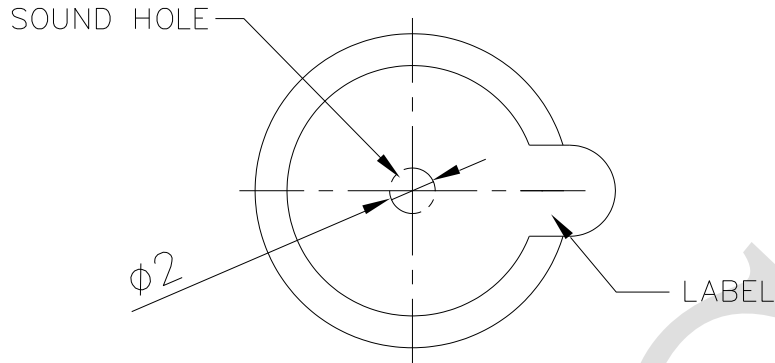


## 1. SPECIFICATION

AZ-1440S-P3

ITEM		UNITS	SPECIFICATIONS	CONDITIONS
01	Rated Voltage	V	12	VDC
02	Operating Voltage	V	3 ~ 16	
03	Rated Current	mA(Max)	7	Rated Voltage
04	Sound pressure level (Distance at 10cm )	dBA(Min)	80	Rated Voltage Rated Frequency
05	Rated Frequency	Hz	4000	Rated Voltage
06	Resonant Frequency	Hz	4000± 500	

REV NO.	REVISION NOTE	APPROVAL	DATE
---------	---------------	----------	------



RoHS

TITLE:	PIEZO BUZZER	DRAWN:	Zack	2012/07/26	SCALE:	2:1	SHEET:	1 of 1
PART NO.	AZ-1440S-P3	DESIGNED:	R & D OF AAT		UNITS:	mm		
DWG NO.	DTP-1001	2	CHECKED:		TOLERANCE $\pm 0.5$			
		REV	APPROVAL:		UNLESS OTHERWISE SPECIFIED:			
			MATERIAL:	NORYL	ONE PLACE DECIMAL $\pm$ ***			
					TWO PLACE DECIMAL $\pm$ ***			
					THREE PLACE DECIMAL $\pm$ ***			



ADVANCED ACOUSTIC TECHNOLOGY CORPORATION

For more information, please contact AATC.

AATC