


1. SPECIFICATION

AS-1204A-1RP

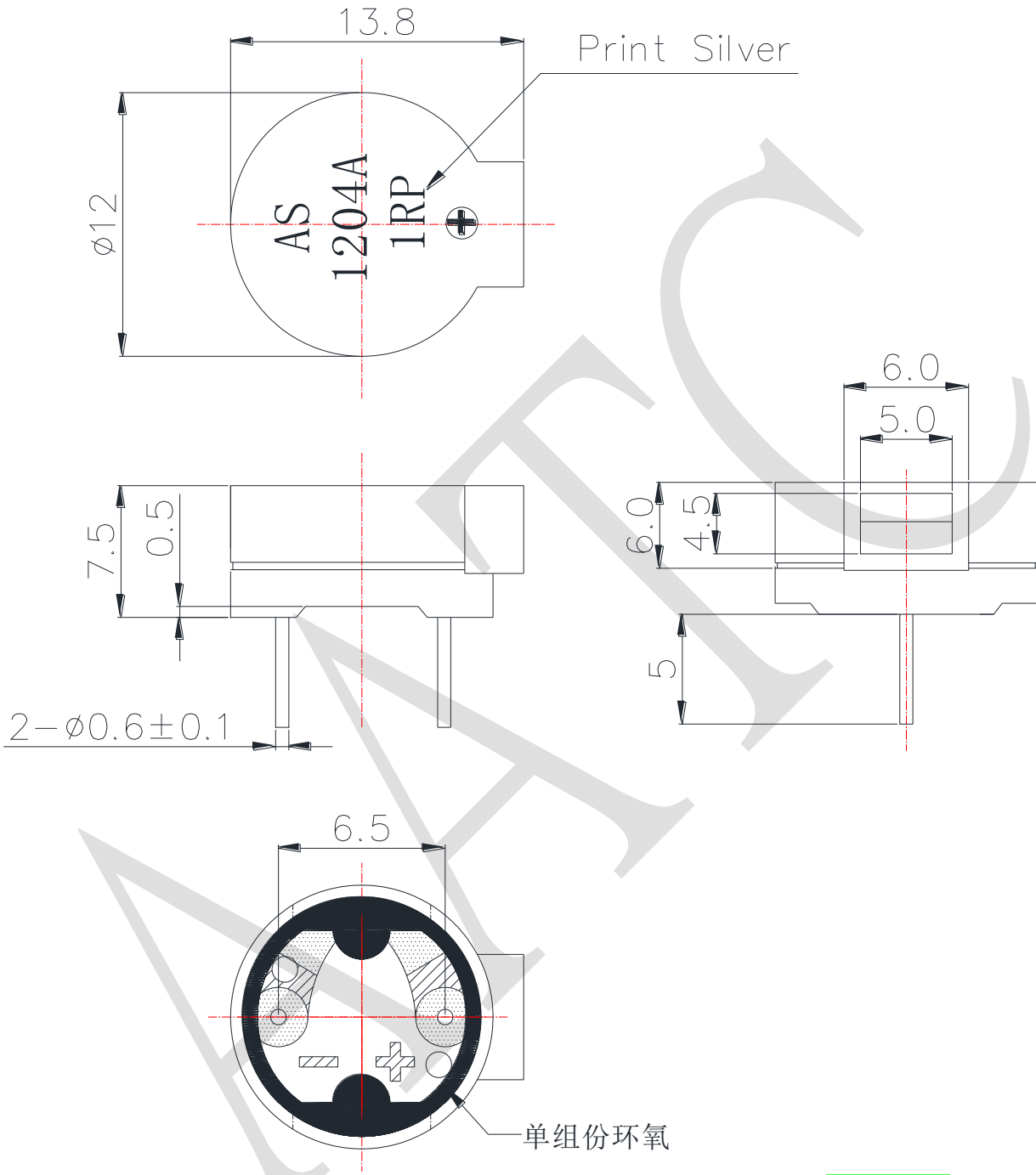
ITEM		UNITS	SPECIFICATIONS	CONDITIONS
01	Rated Voltage	V	3.5	
02	Operating Voltage	V	2 ~ 5	
03	Consumption Current	mA (Max)	Mean : 70	Standard state, standard drive circuit. Square wave 1/2 duty.
			Peak : 210	
04	Sound pressure level (Distance at 10cm)	dB(A) (Min)	88	Rated voltage, rated frequency.
05	Direct Current Resistance	Ω	16±3	
06	Rated Frequency	Hz	2731	

REV NO.

REVISION NOTE

APPROVAL

DATE



RoHS

TITLE: ELECTRO MAGNETIC BUZZER		DRAWN: Sunny	2015-4-30	SCALE: 4:1	SHEET: 1 of 1
PART NO. AS-1204A-1RP		DESIGNED: R&D OF AAT		UNITS: mm	
DWG NO. UGC1235G-04BPD	1 REV	CHECKED:		TOLERANCE ± 0.5	
		APPROVAL:		UNLESS OTHERWISE SPECIFIED:	
		MATERIAL: NORYL		ONE PLACE DECIMAL \pm ***	
				TWO PLACE DECIMAL \pm ***	
				THREE PLACE DECIMAL \pm ***	



ADVANCED ACOUSTIC TECHNOLOGY CORPORATION

For more information, please contact AATC.

AATC